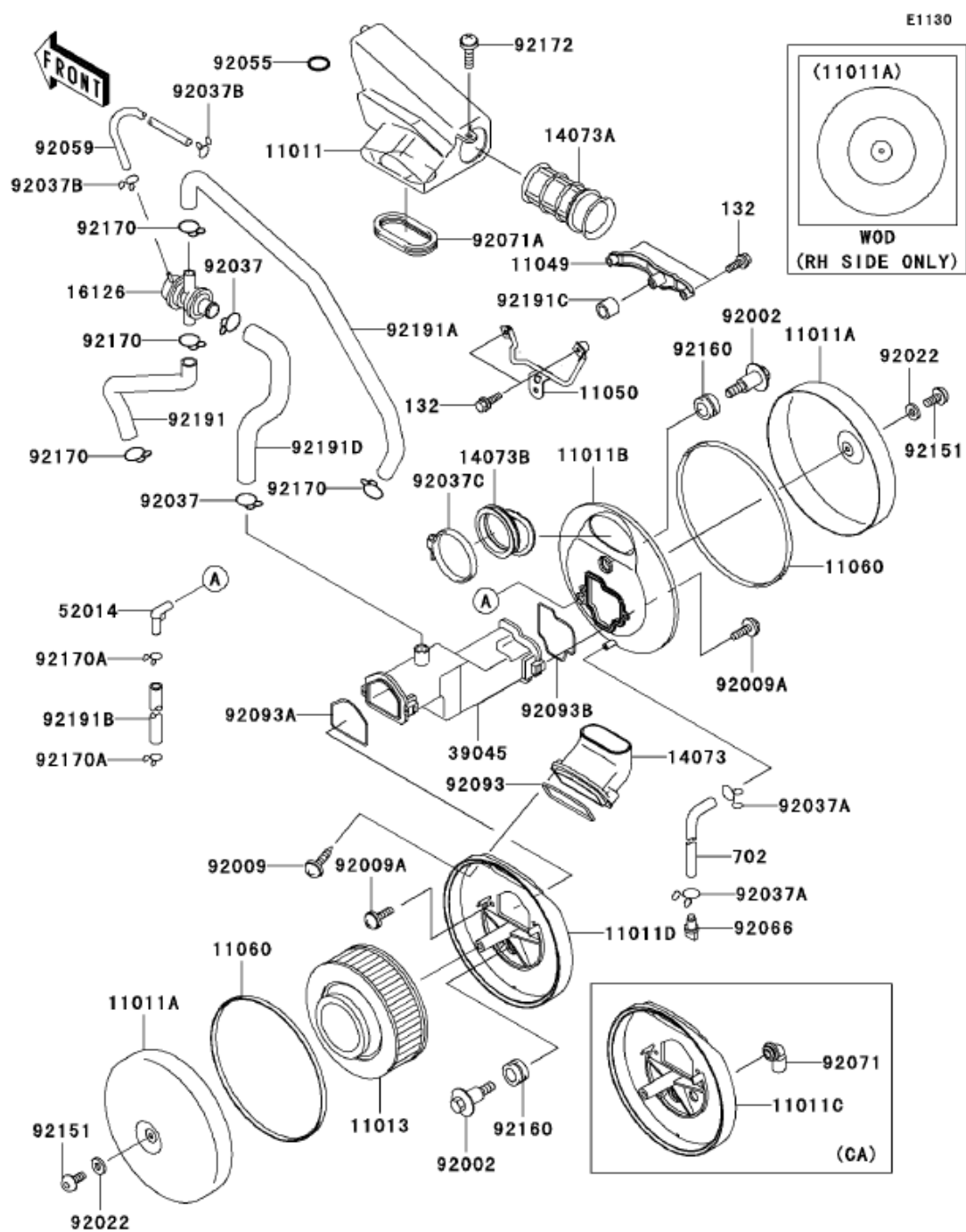


AIR CLEANER	2	MUFFLER(S)	42
BRAKE PEDAL/TORQUE LINK	3	OIL PUMP/OIL FILTER	43
CABLES	4	OWNER'S TOOLS	44
CAMSHAFT(S)/TENSIONER	5	PUBLICATIONS	45
CARBURETOR	6	RADIATOR	46
CHASSIS ELECTRICAL EQUIPMENT	7	REAR BRAKE (VN1500-E4~E6)	47
CLUTCH	8	REAR MASTER CYLINDER	48
CLUTCH MASTER CYLINDER	9	REAR WHEEL/CHAIN	49
CRANKCASE (VN1500-E5/E6)	10	RIGHT ENGINE COVER(S)	50
CRANKCASE BOLT PATTERN	11	SEAT	51
CRANKSHAFT	12	SIDE COVERS	52
CYLINDER HEAD	13	STAND(S)	53
CYLINDER HEAD COVER	14	STARTER MOTOR	54
CYLINDER/PISTON(S)	15	SUSPENSION/SHOCK ABSORBER	55
DECALS (RED)(VN1500-E6)	16	SWINGARM	56
DECALS (RED/GRAY)(VN1500-E6)	17	TAILLIGHT(S)	57
DRIVE SHAFT/FINAL GEAR	18	TIRES	58
ENGINE MOUNT	19	TRANSMISSION (VN1500-E5/E6)	59
FENDERS (VN1500-E5/E6)	20	TURN SIGNALS	60
FOOTRESTS	21	VALVE(S)	61
FRAME	22	WATER PUMP	62
FRAME FITTINGS	23		
FRONT BEVEL GEAR	24	Detalj nunder listor	63 - 94
FRONT BRAKE	25		
FRONT FORK	26		
FRONT MASTER CYLINDER	27		
FRONT WHEEL	28		
FUEL EVAPORATIVE SYSTEM (CA)	29		
FUEL PUMP	30		
FUEL TANK (VN1500-E5/E6)	31		
GEAR CHANGE DRUM/SHIFT FORK(S)	32		
GEAR CHANGE MECHANISM	33		
GENERATOR	34		
HANDLEBAR	35		
HEADLIGHT(S)	36		
IGNITION SWITCH/LOCKS/REFLECTORS	37		
IGNITION SYSTEM	38		
LABELS	39		
LEFT ENGINE COVER(S)	40		
METER(S)	41		

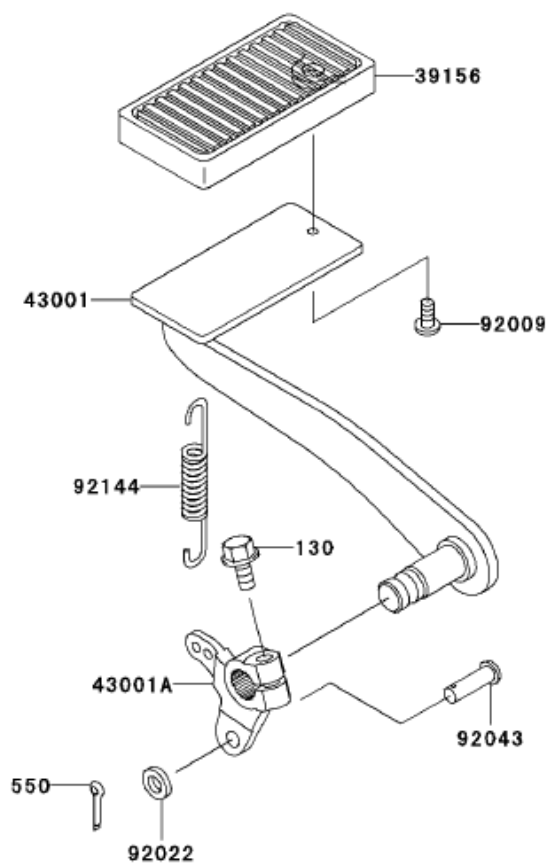
AIR CLEANER



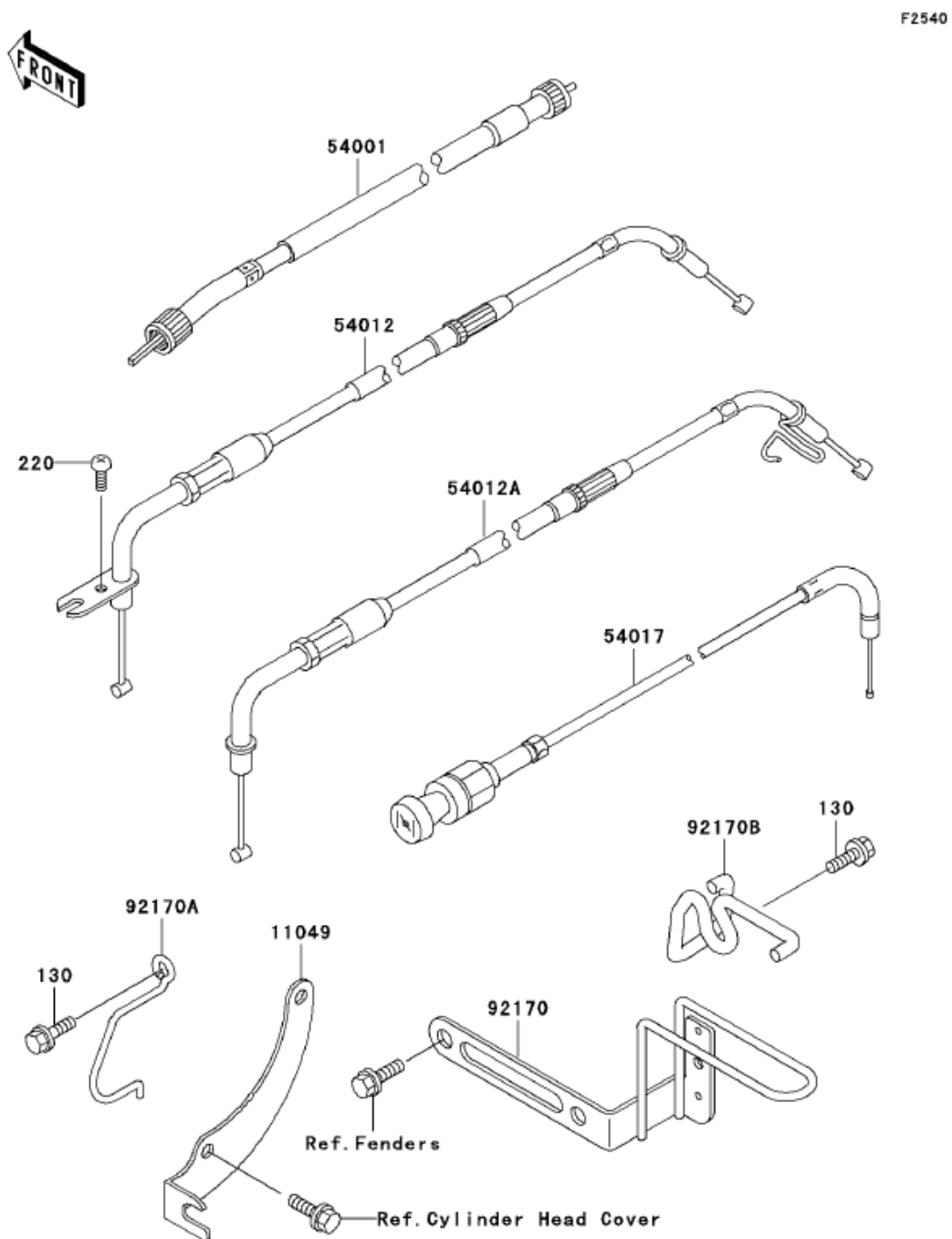
BRAKE PEDAL/TORQUE LINK



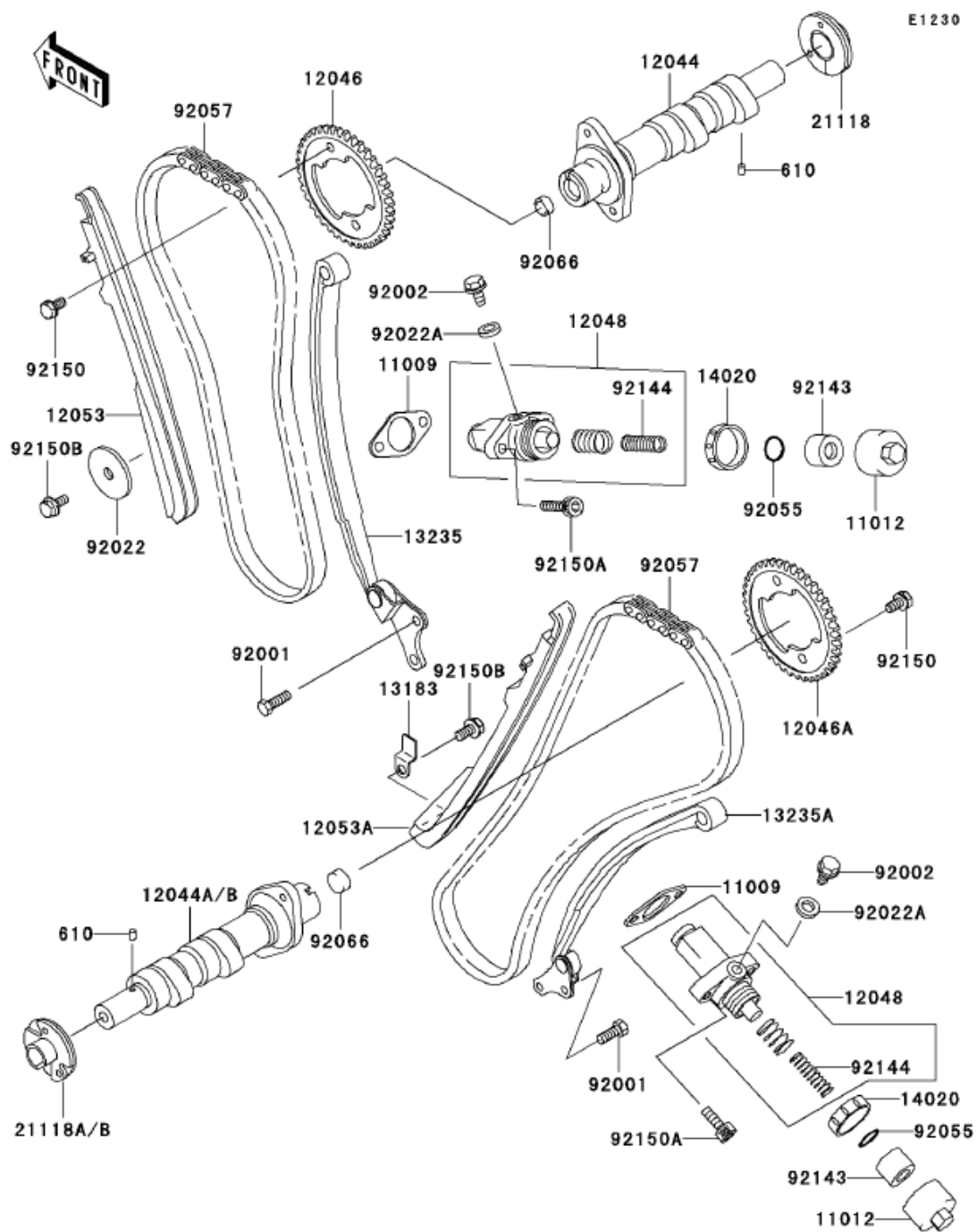
F2260



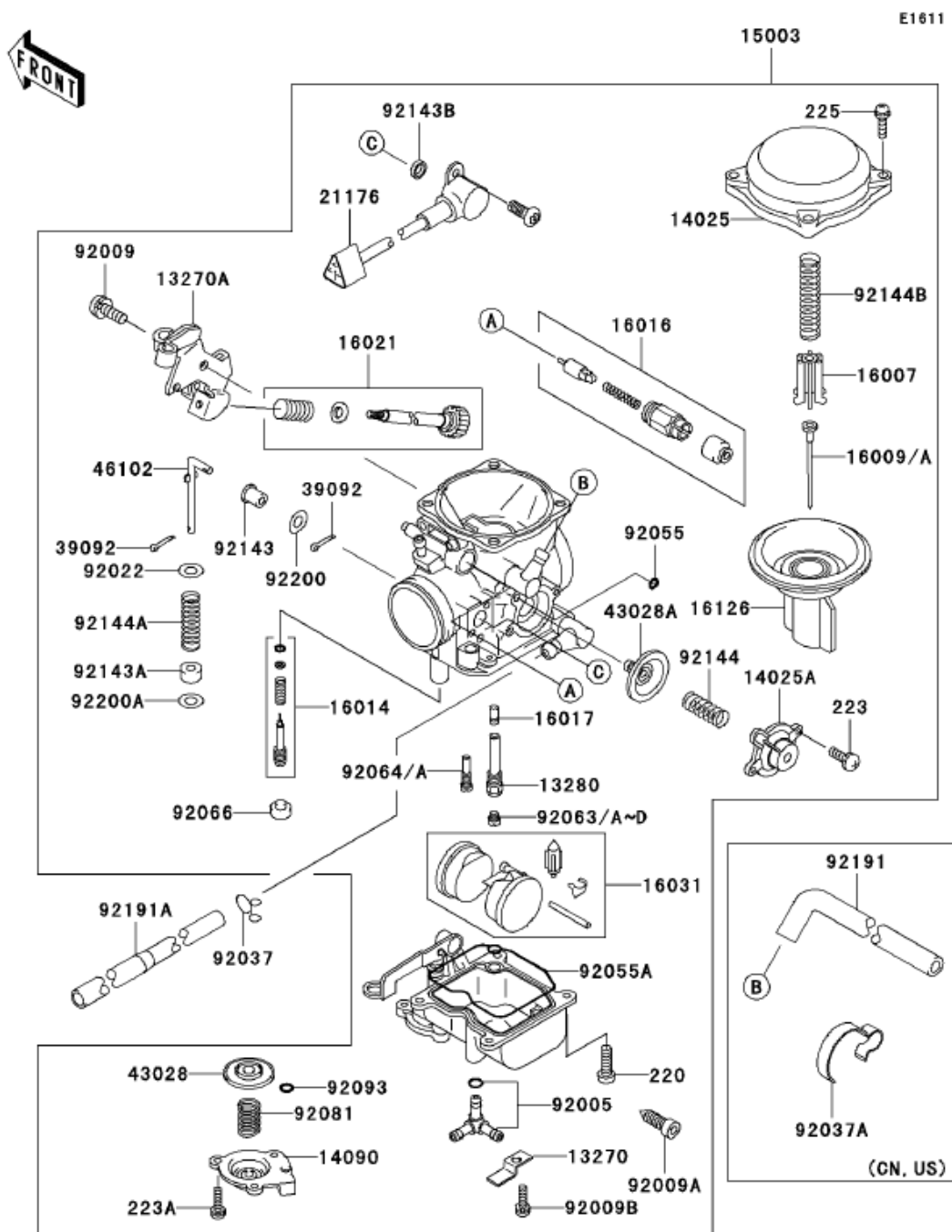
CABLES



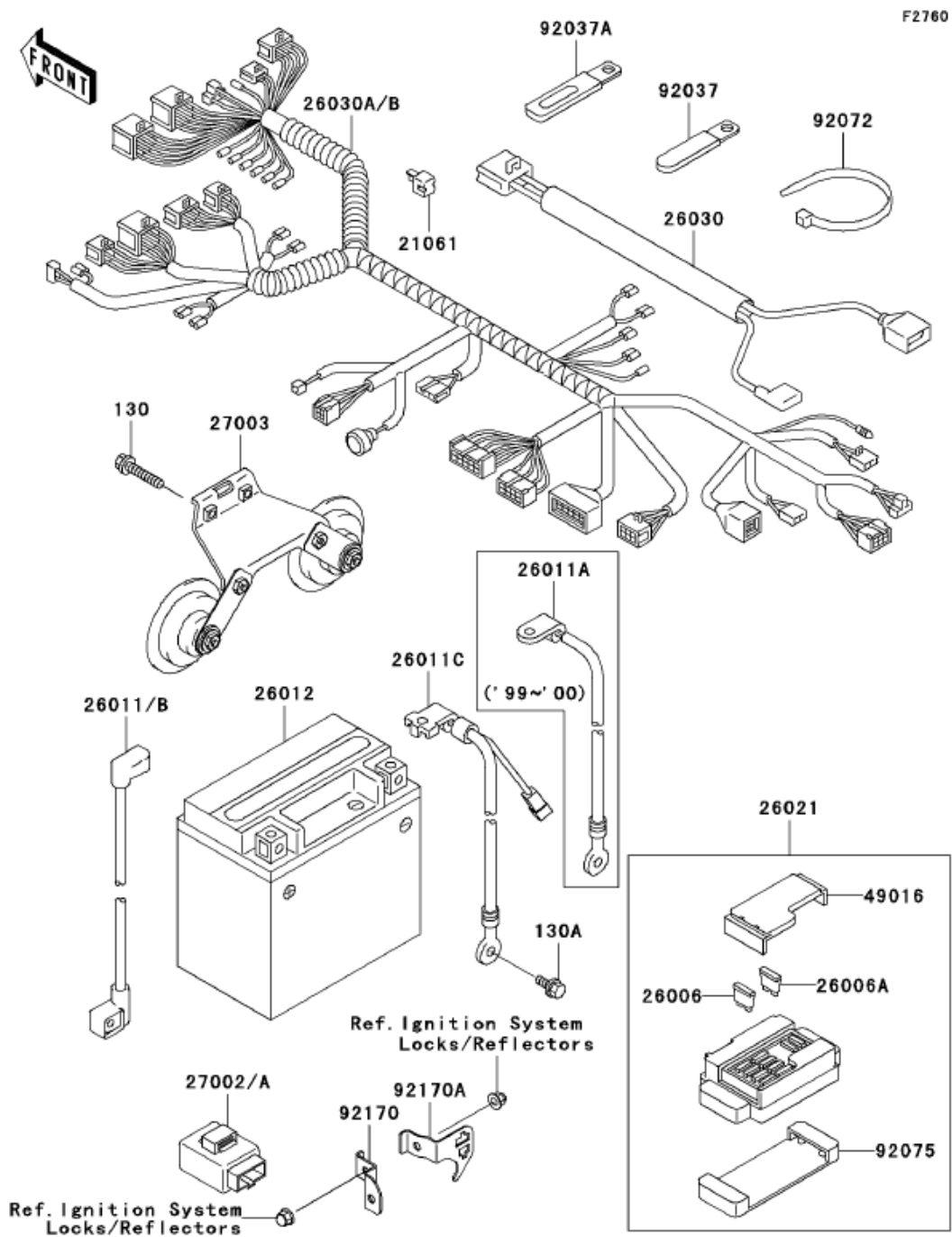
CAMSHAFT(S)/TENSIONER



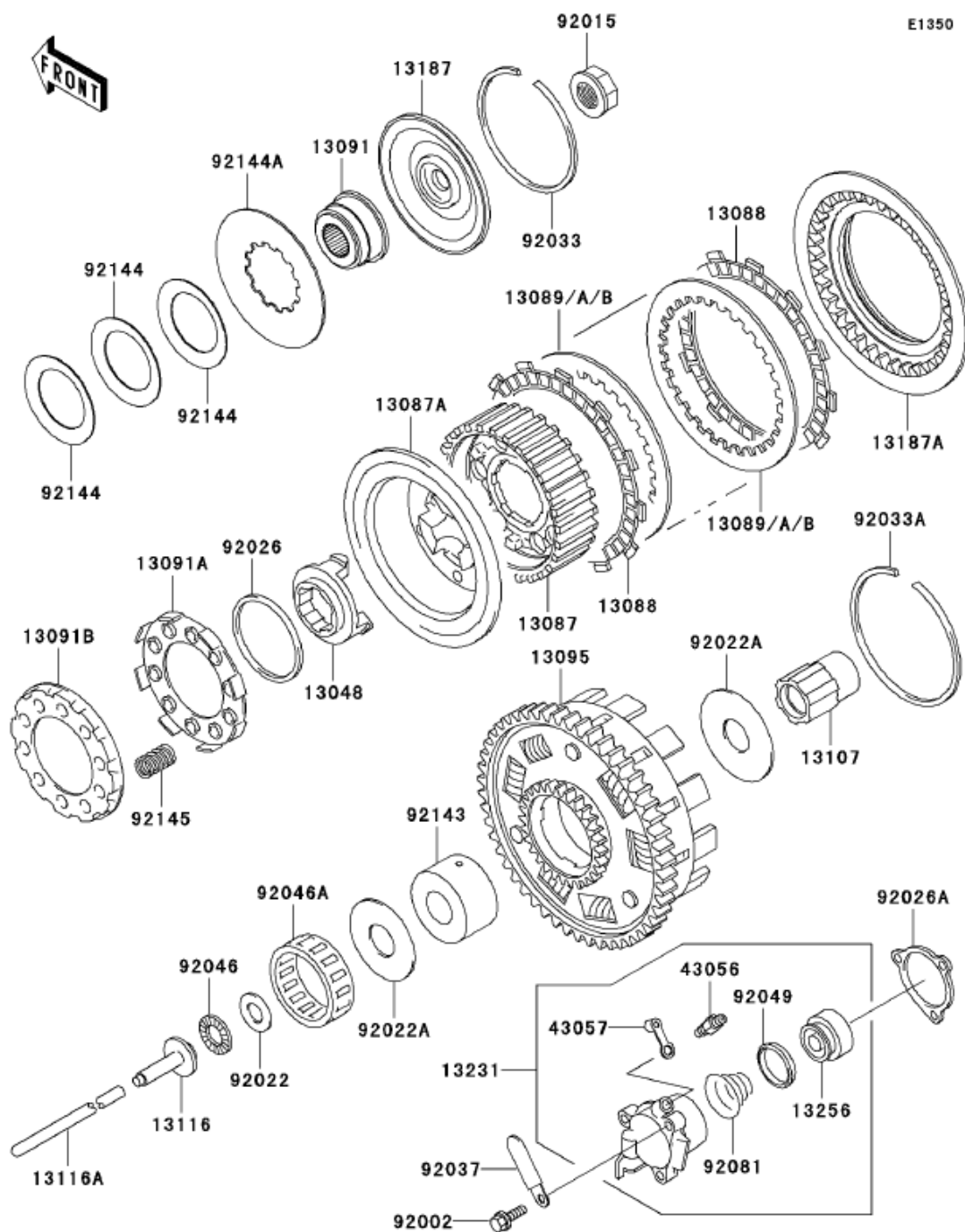
CARBURETOR



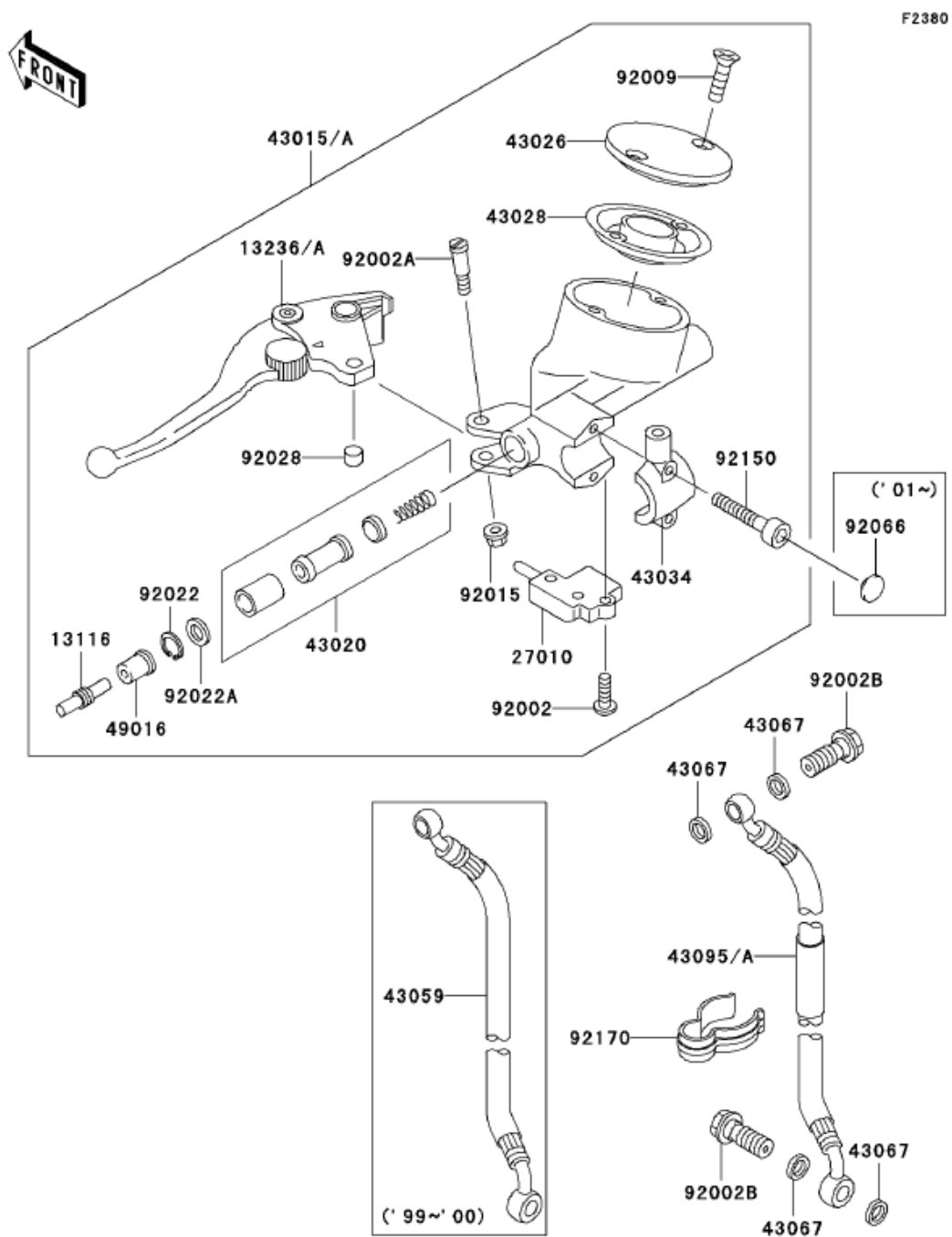
CHASSIS ELECTRICAL EQUIPMENT



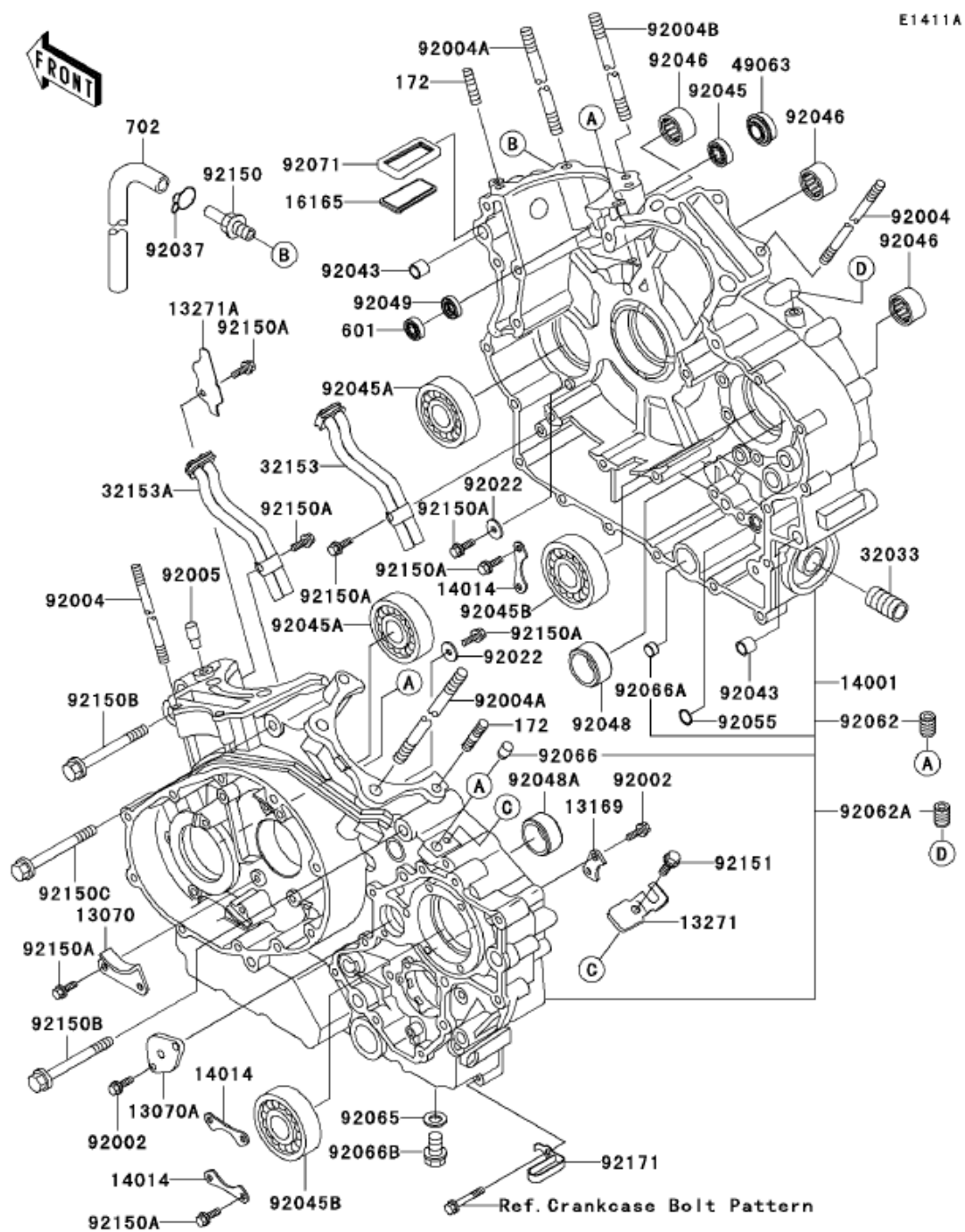
CLUTCH



CLUTCH MASTER CYLINDER

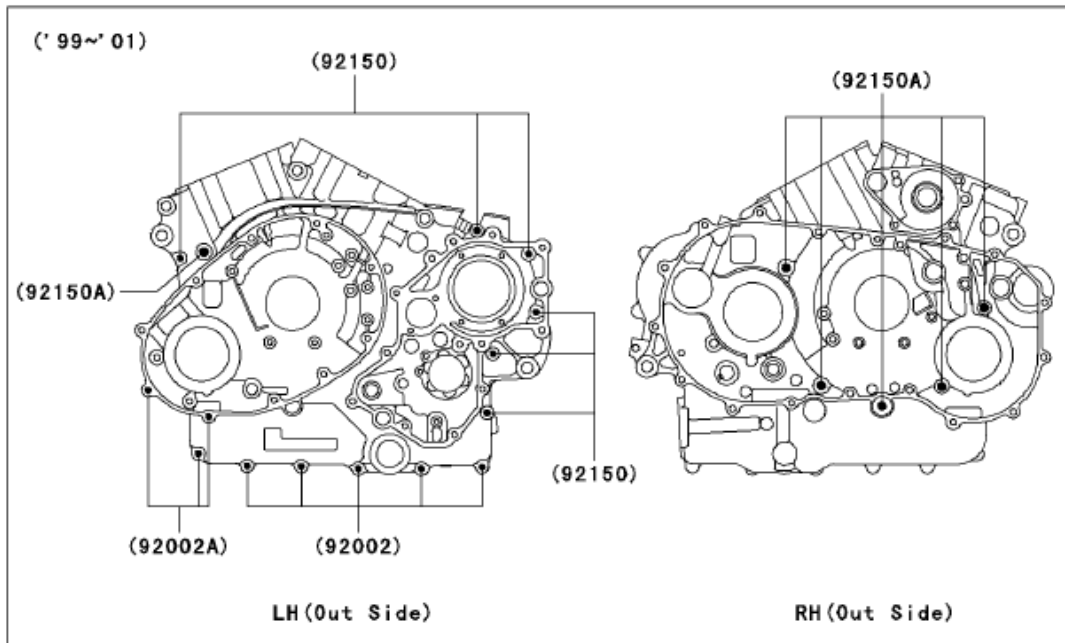
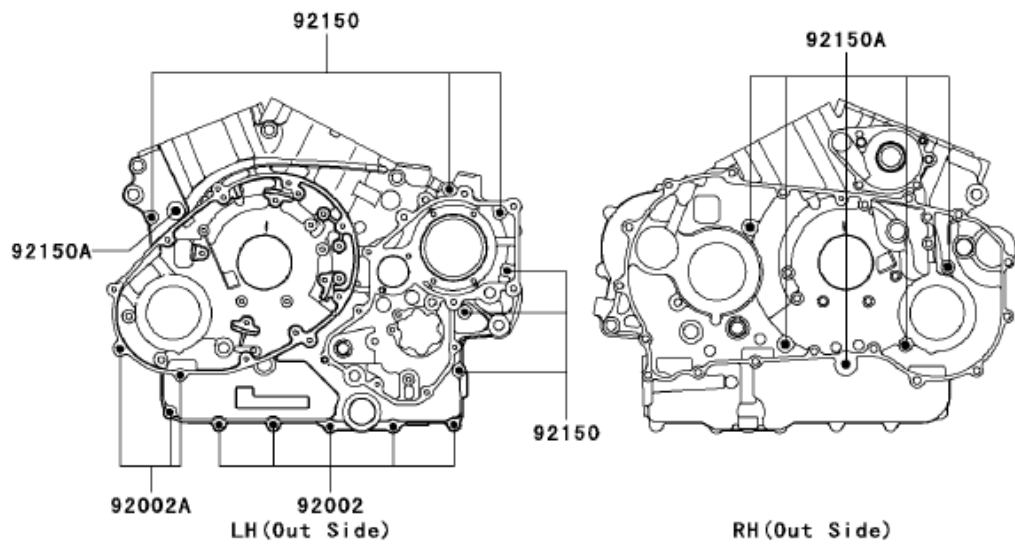


CRANKCASE (VN1500-E5/E6)

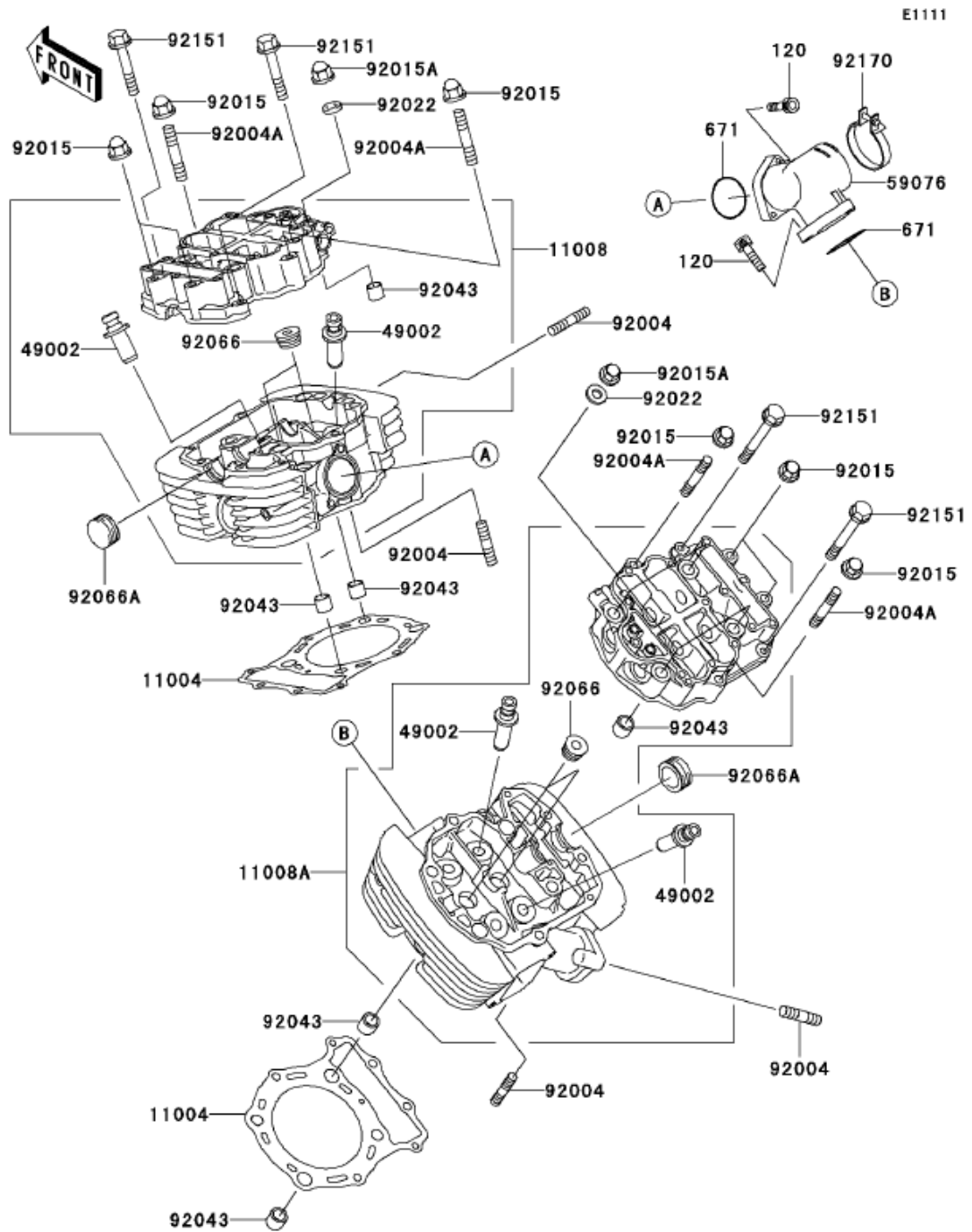


CRANKCASE BOLT PATTERN

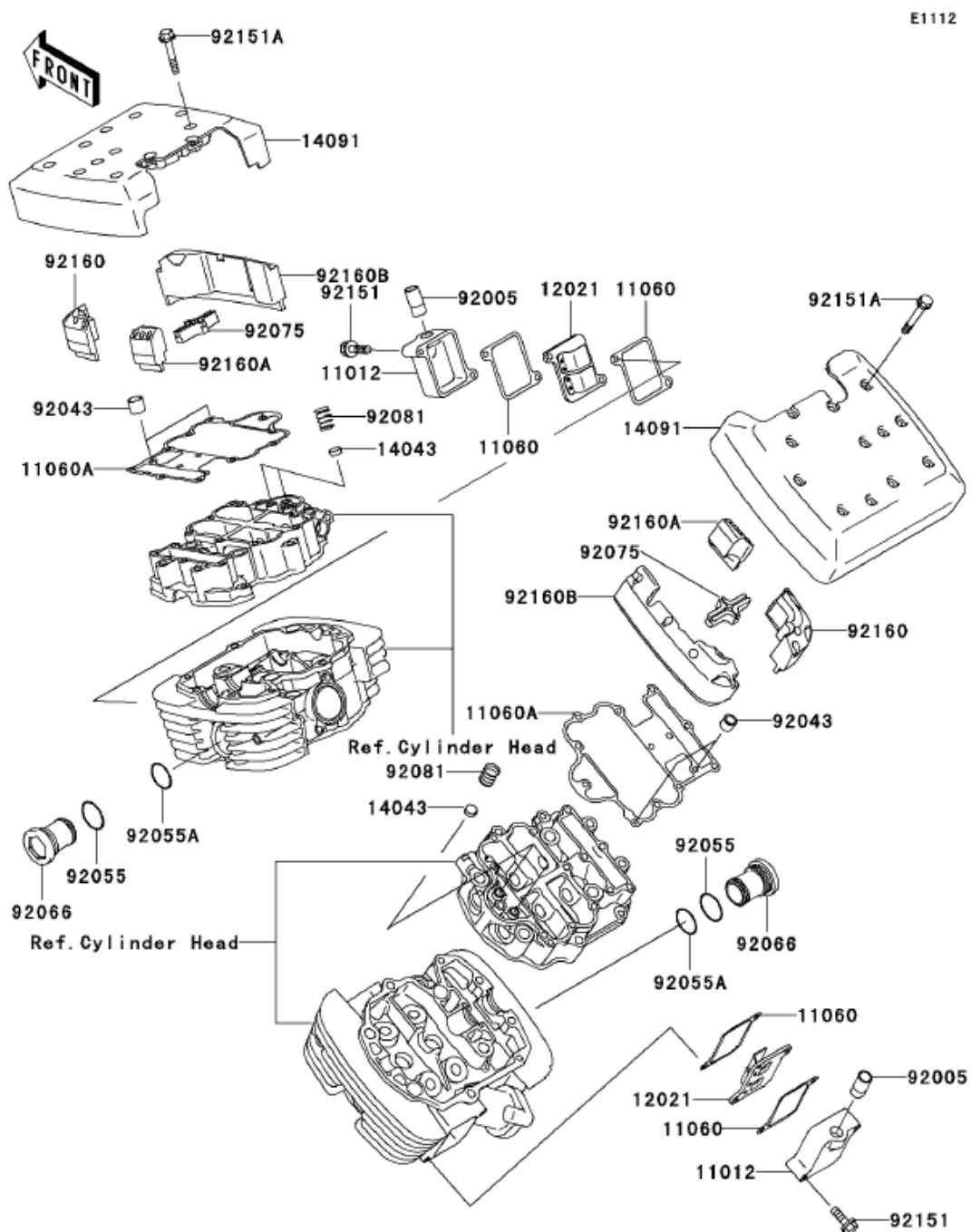
E1412



CYLINDER HEAD

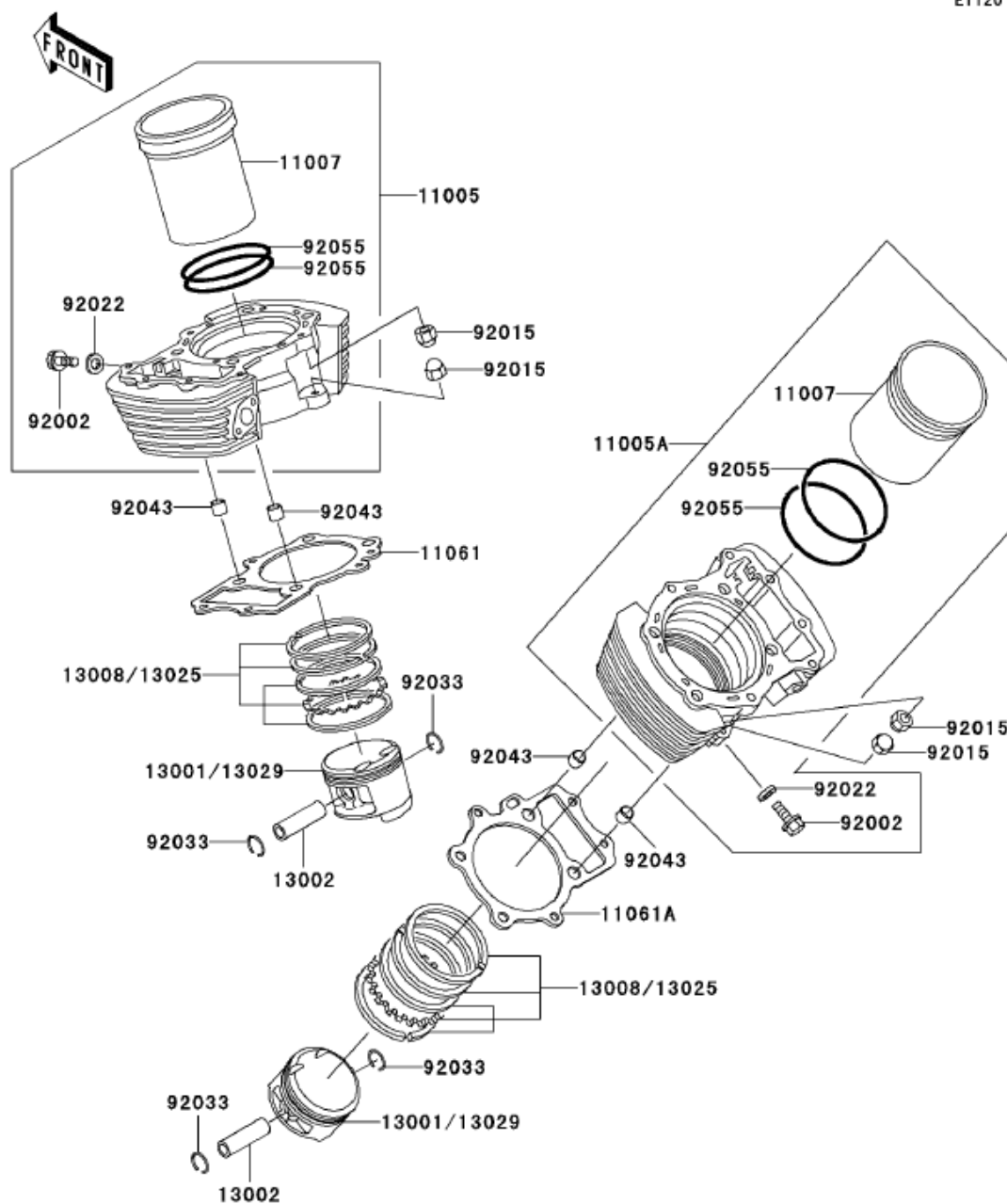


CYLINDER HEAD COVER



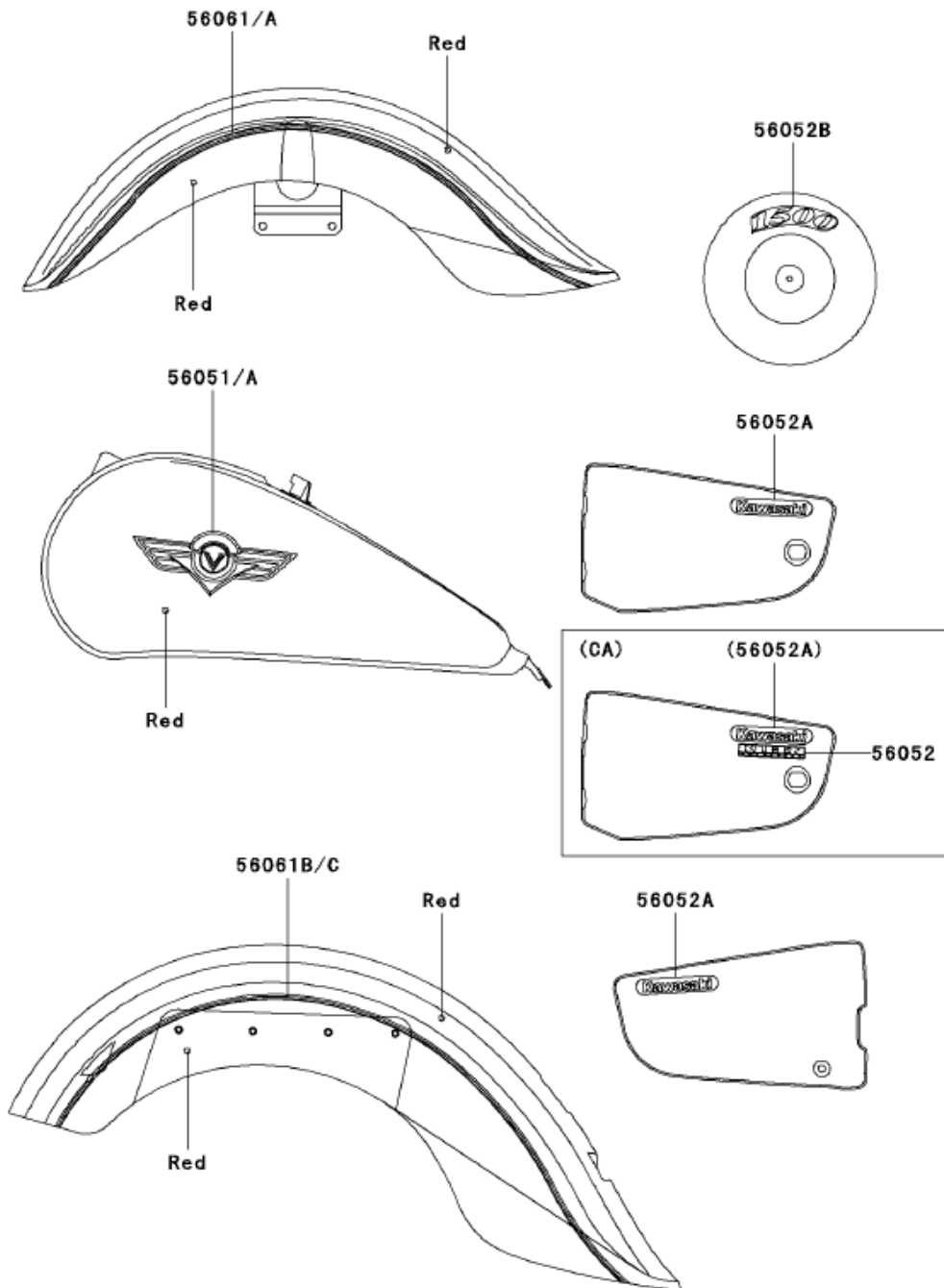
CYLINDER/PISTON(S)

E1120

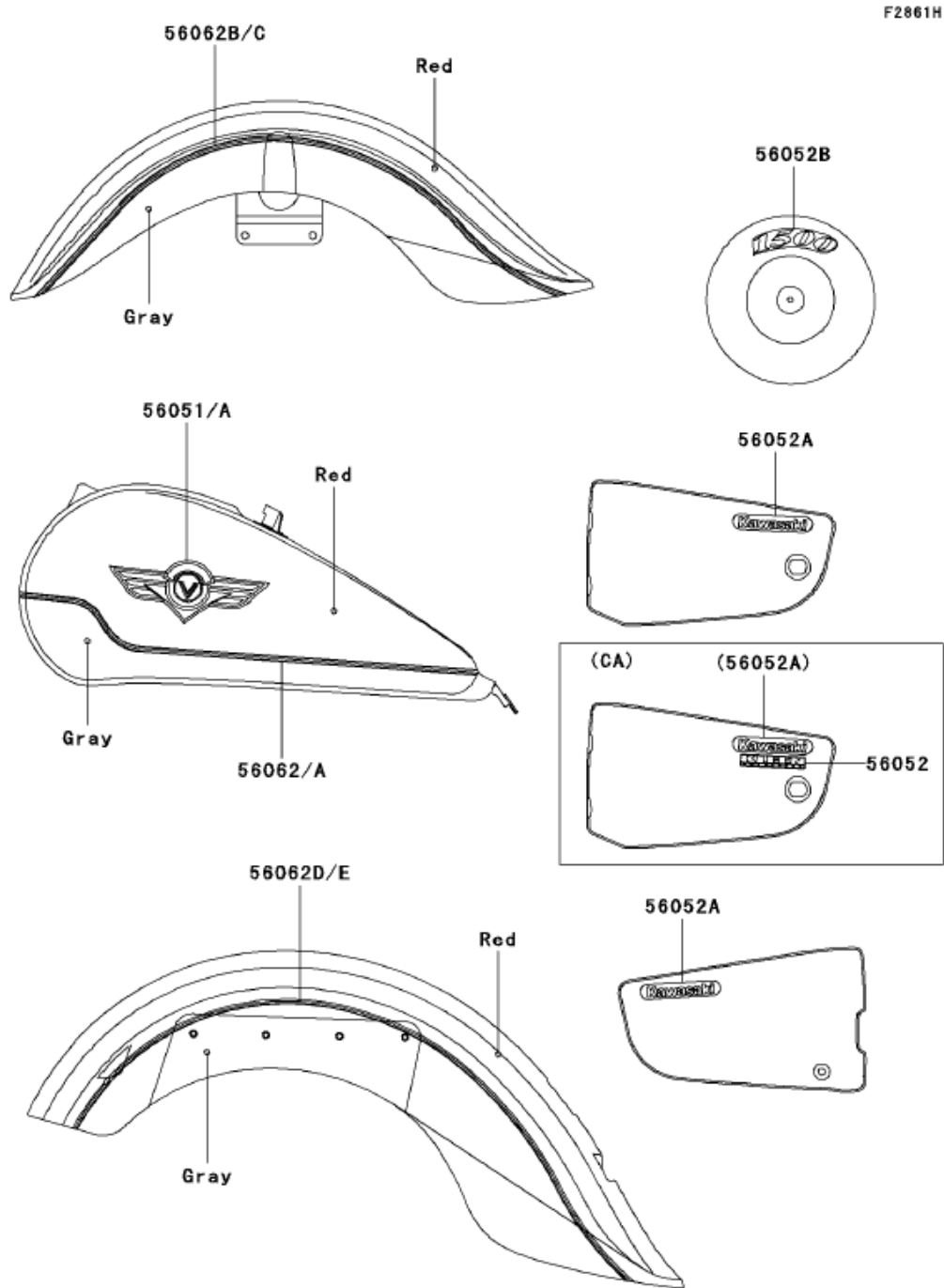


DECALS (RED)(VN1500-E6)

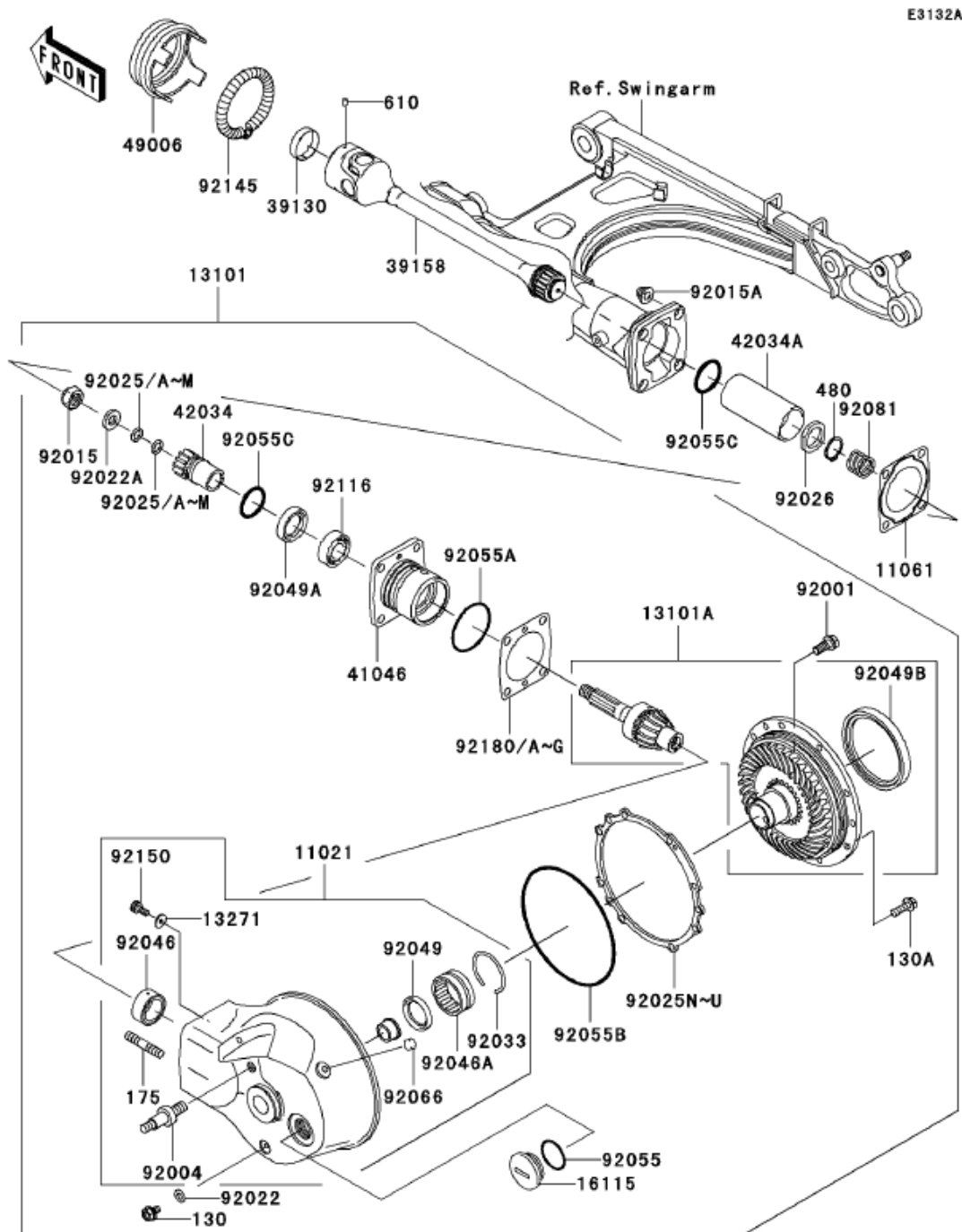
F28611



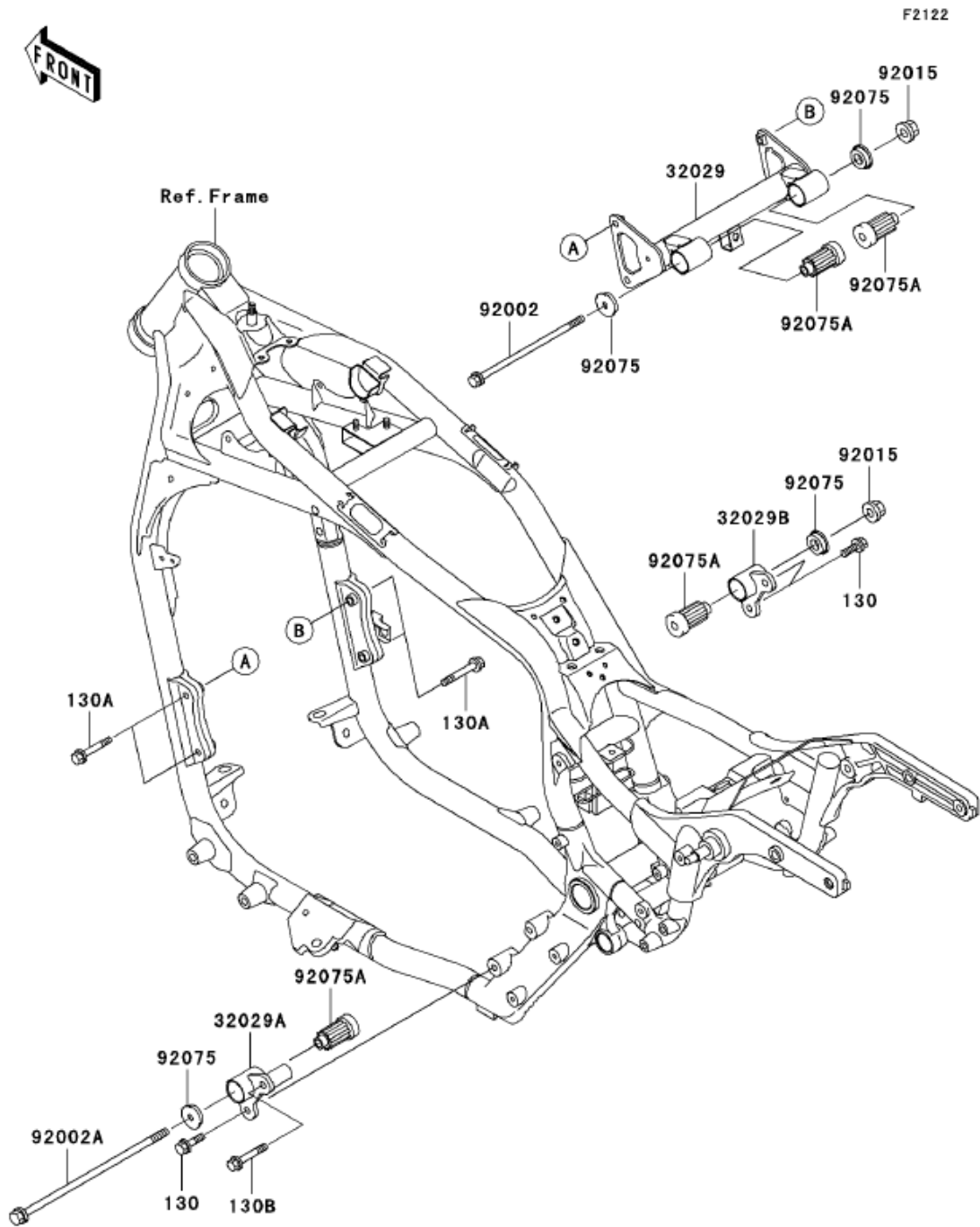
DECALS (RED/GRAY)(VN1500-E6)



DRIVE SHAFT/FINAL GEAR

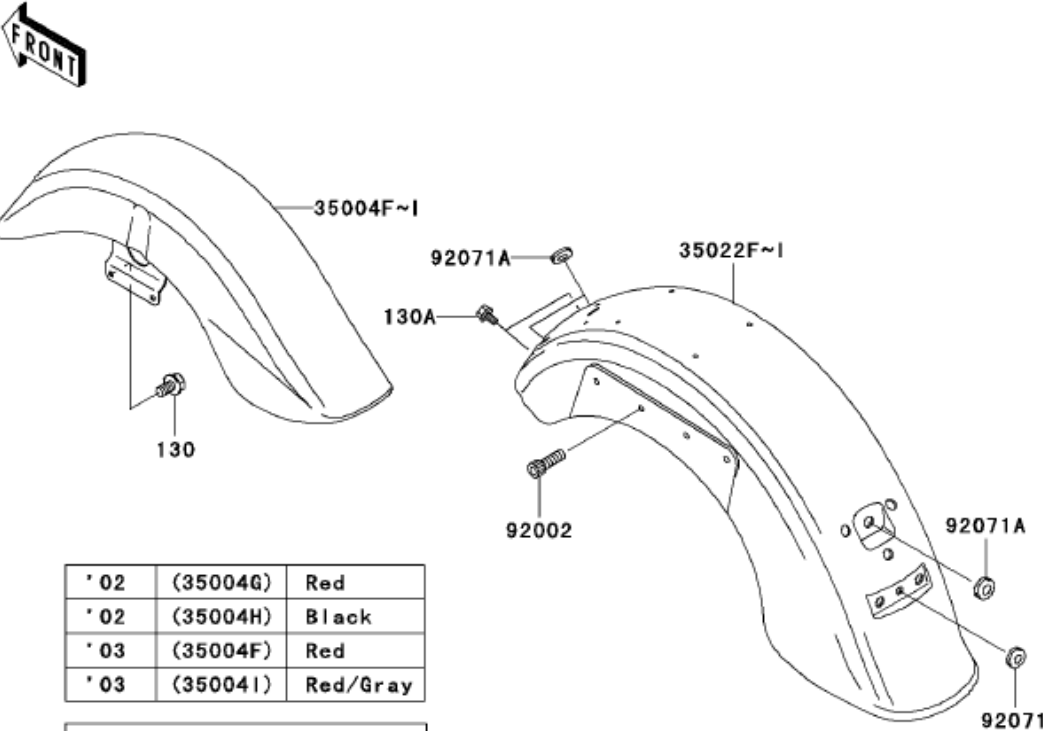


ENGINE MOUNT

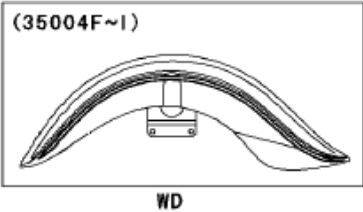


FENDERS (VN1500-E5/E6)

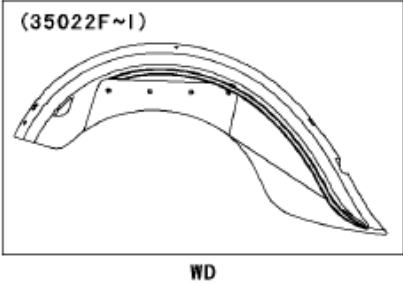
F2170A



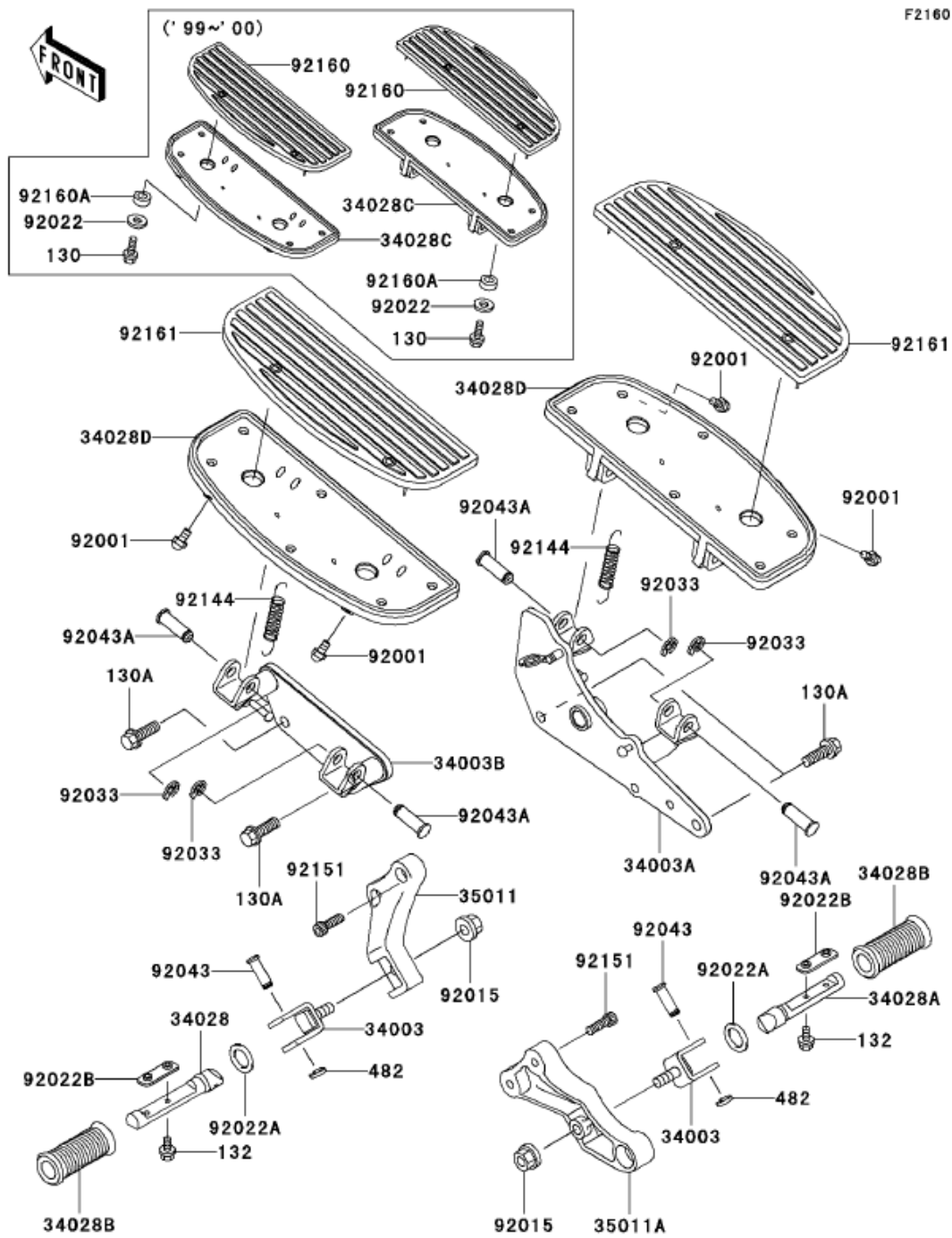
' 02	(35004G)	Red
' 02	(35004H)	Black
' 03	(35004F)	Red
' 03	(35004I)	Red/Gray



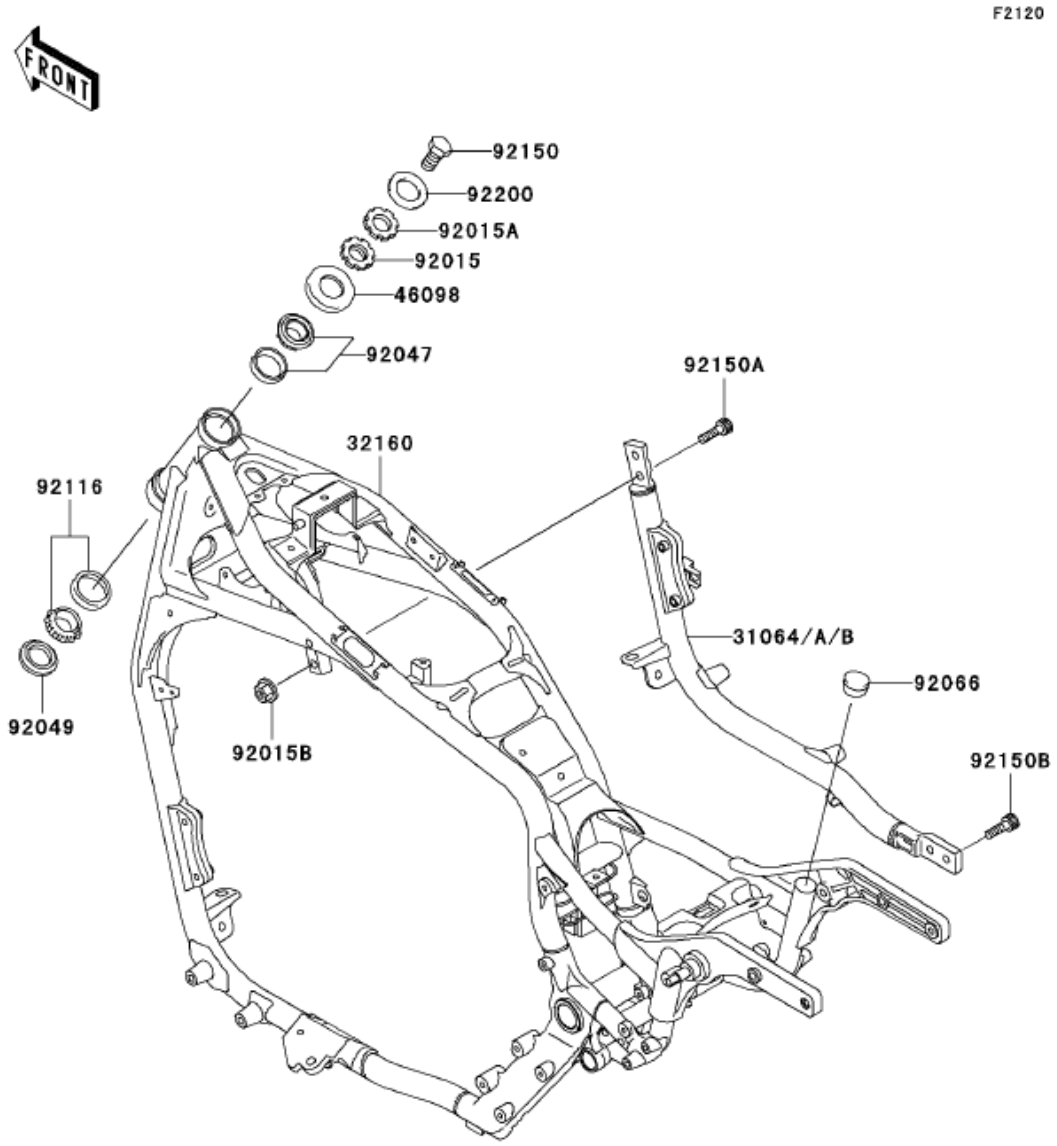
' 02	(35022G)	Red
' 02	(35022H)	Black
' 03	(35022F)	Red
' 03	(35022I)	Red/Gray



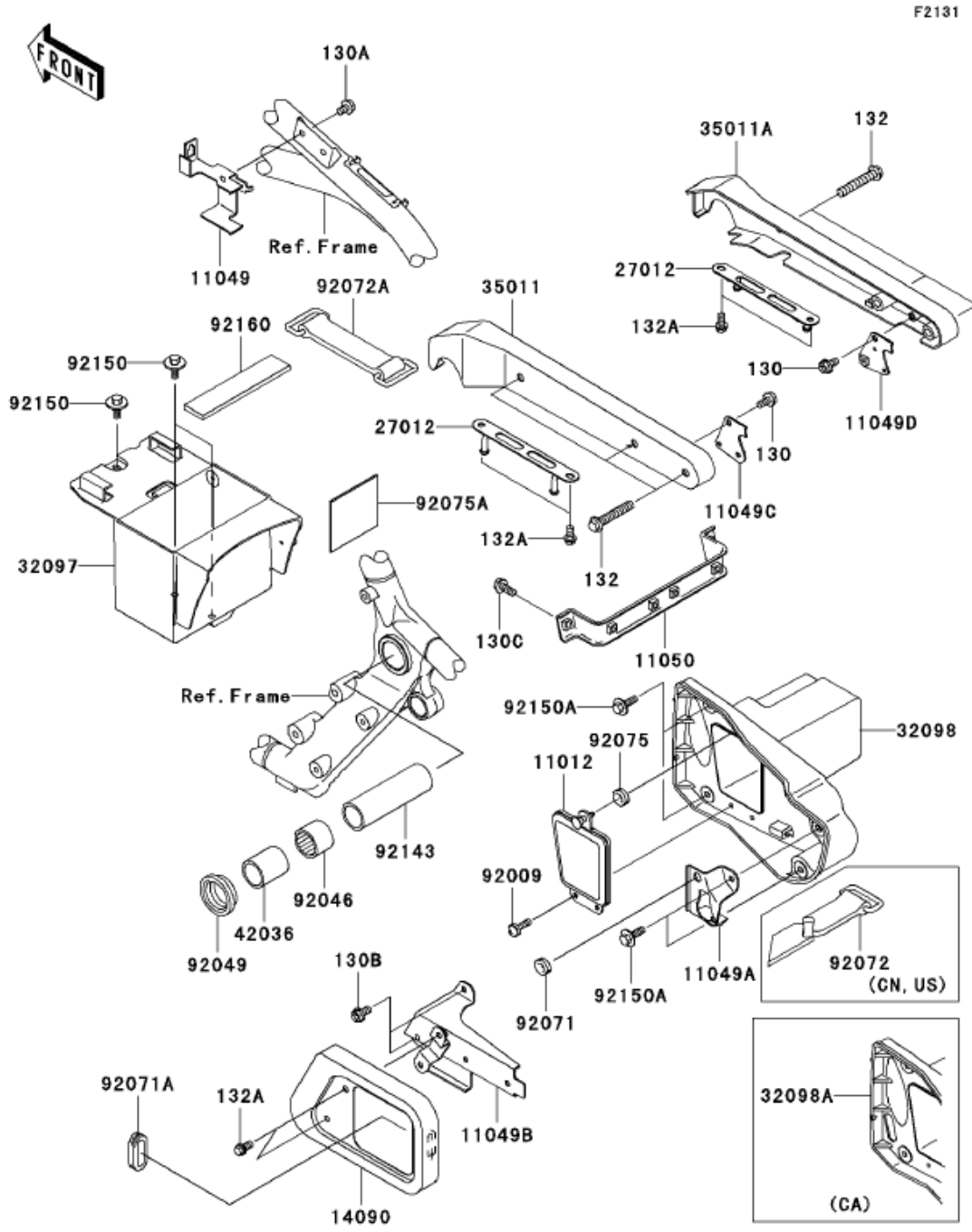
FOOTRESTS



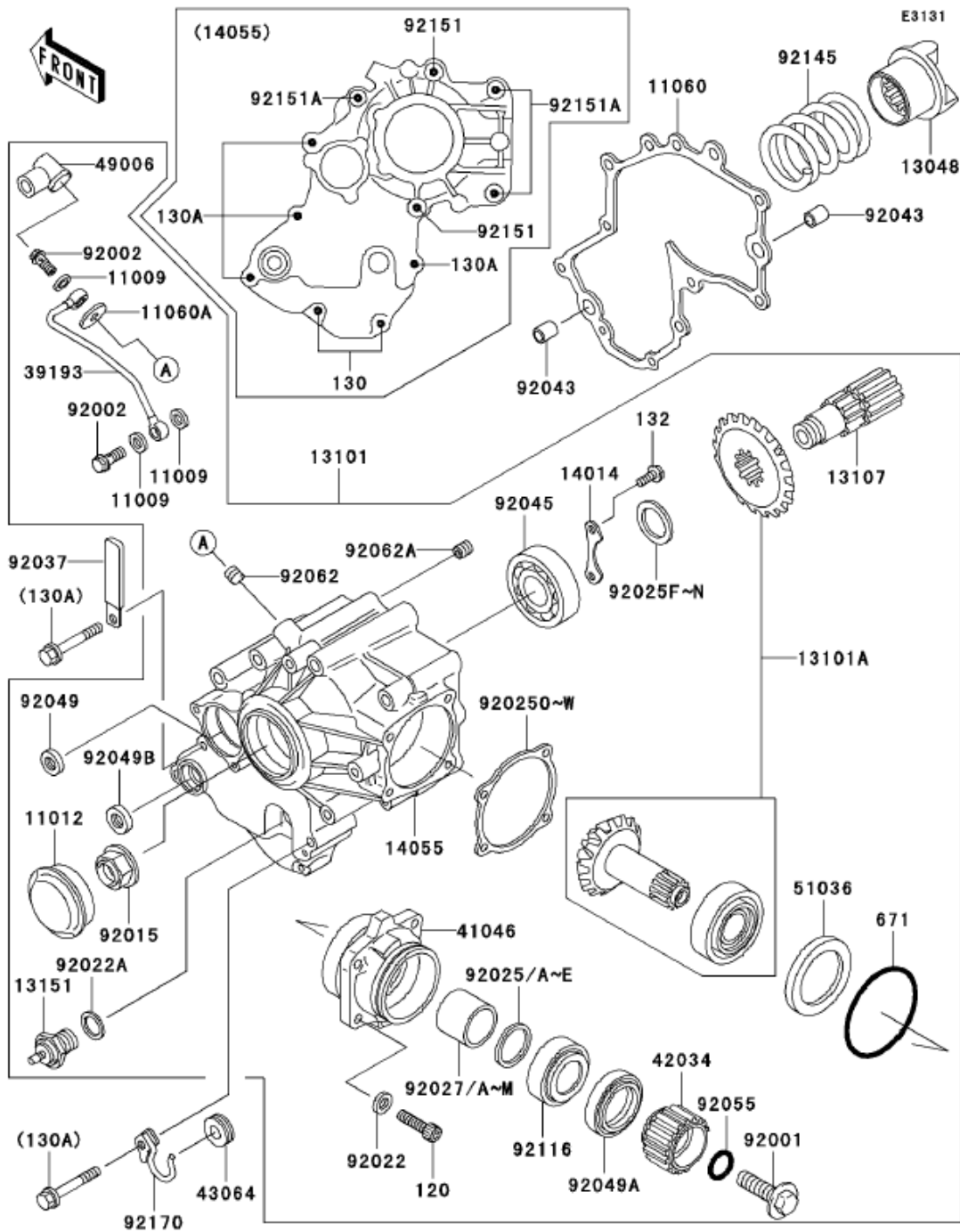
FRAME



FRAME FITTINGS

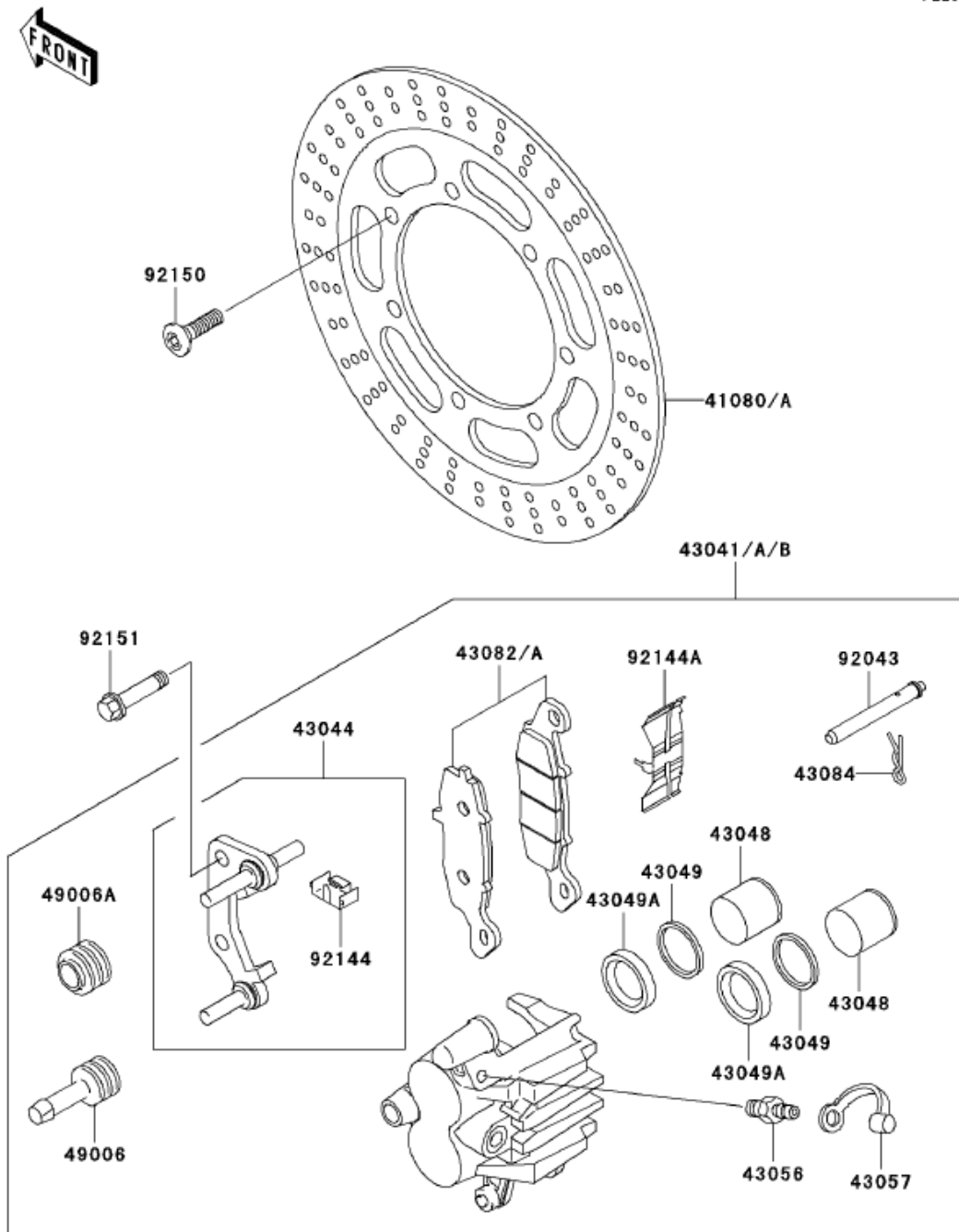


FRONT BEVEL GEAR

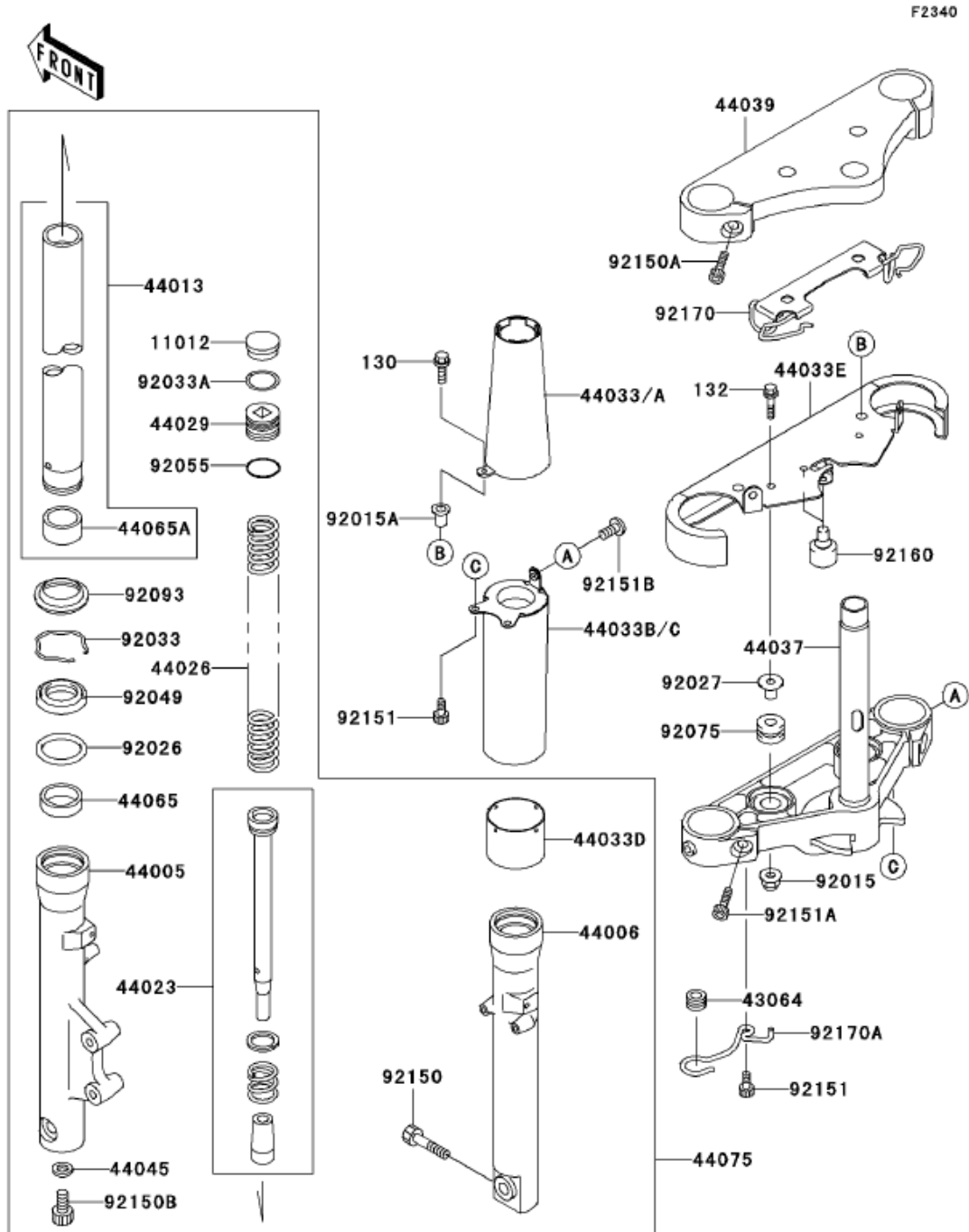


FRONT BRAKE

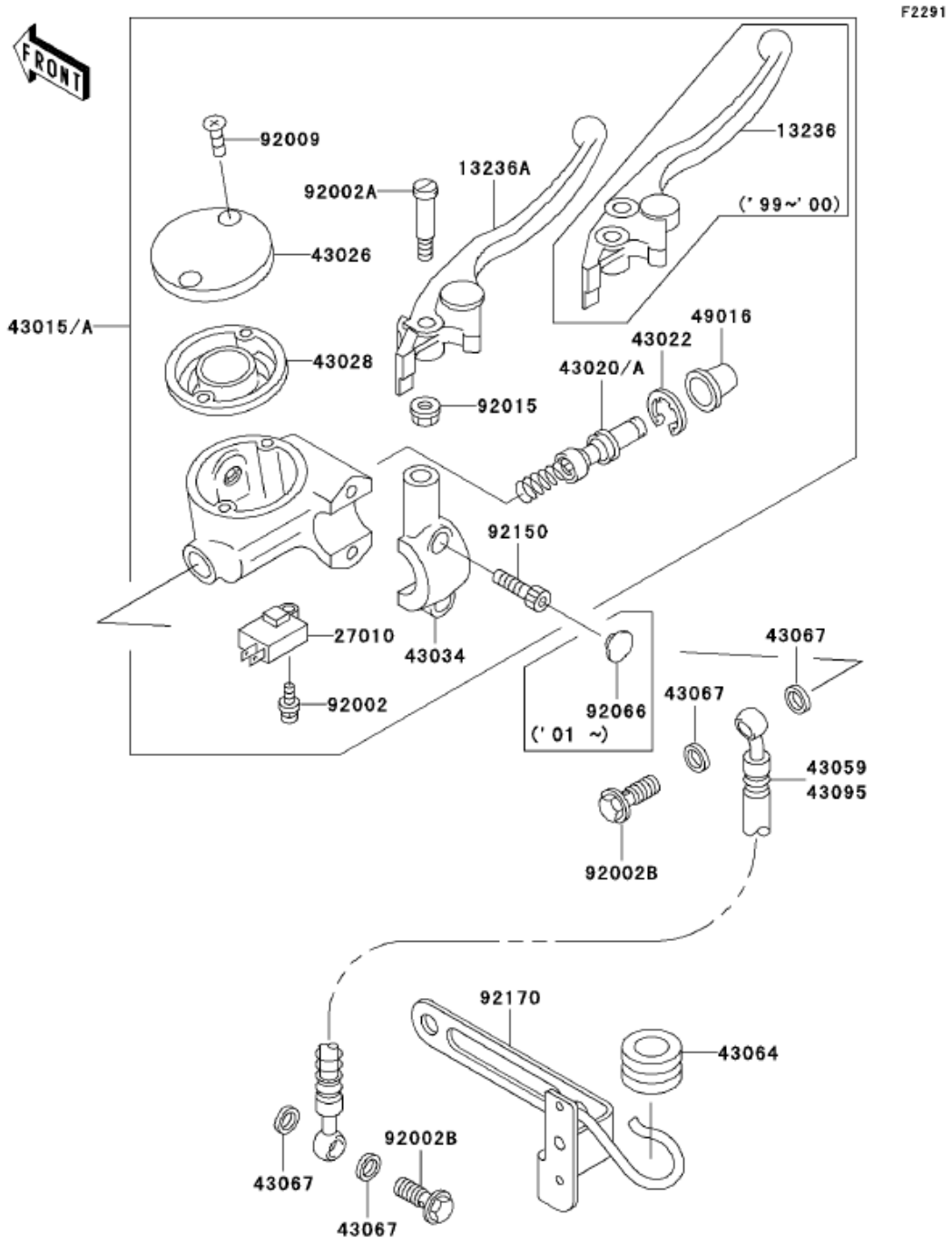
F2292



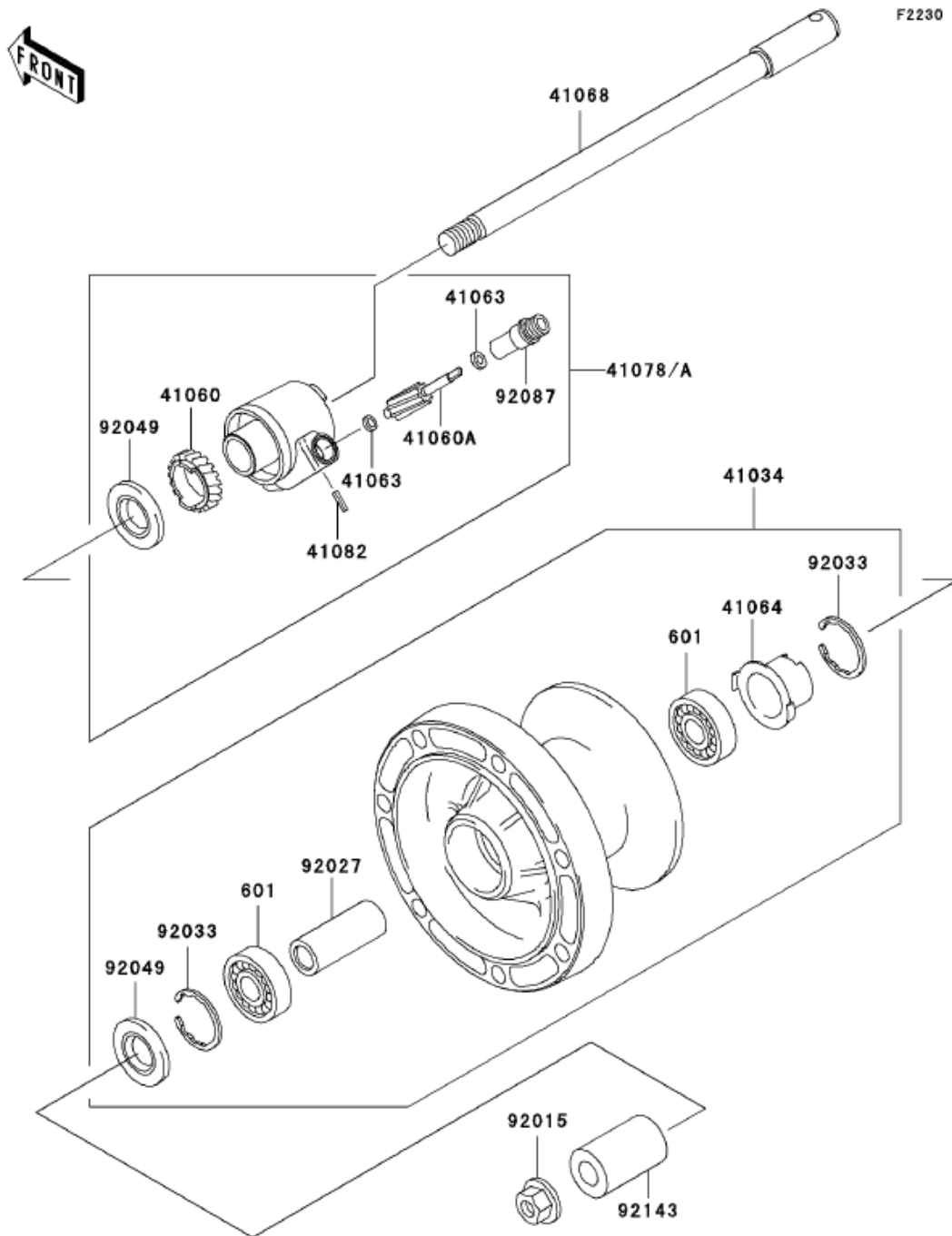
FRONT FORK



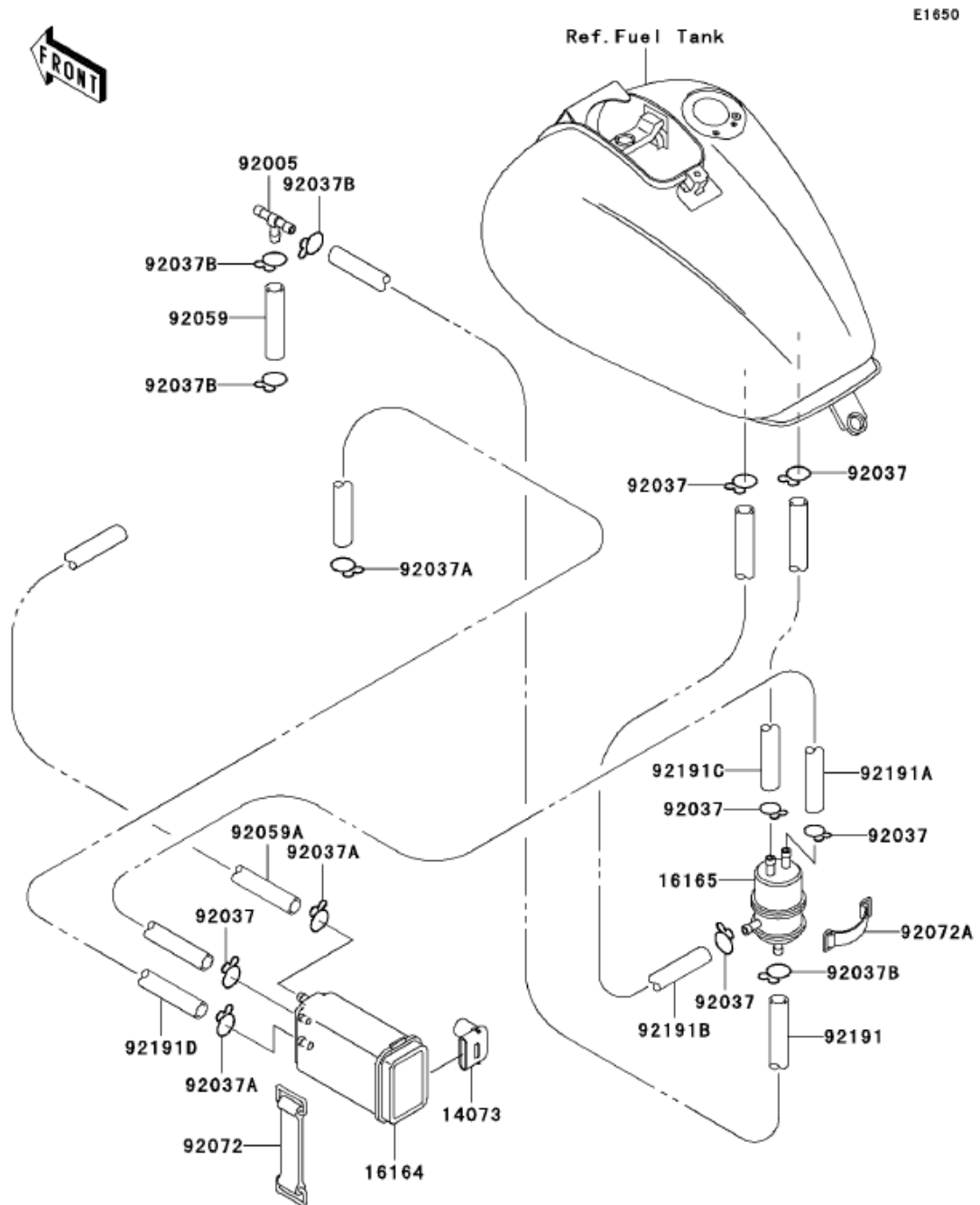
FRONT MASTER CYLINDER



FRONT WHEEL

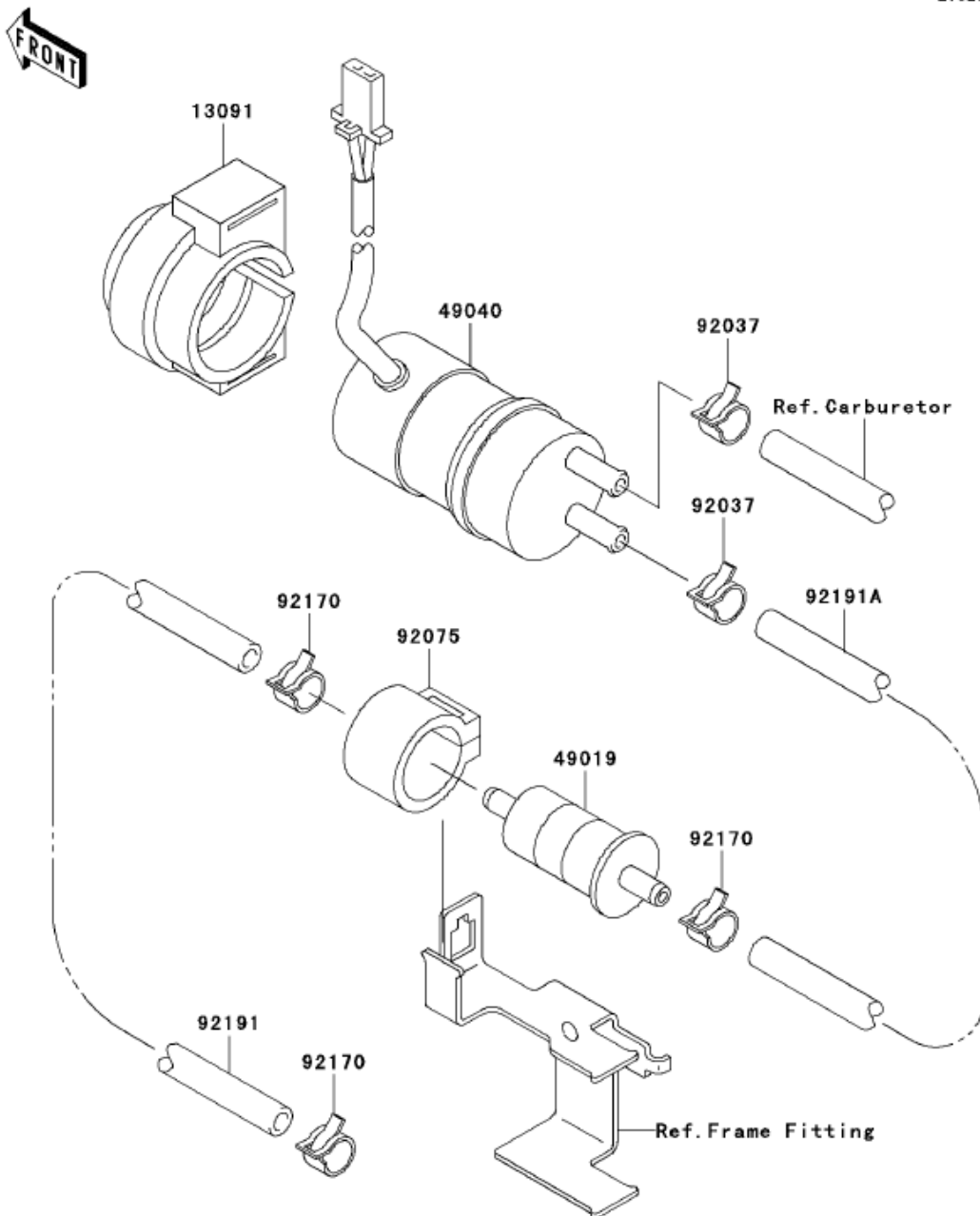


FUEL EVAPORATIVE SYSTEM (CA)

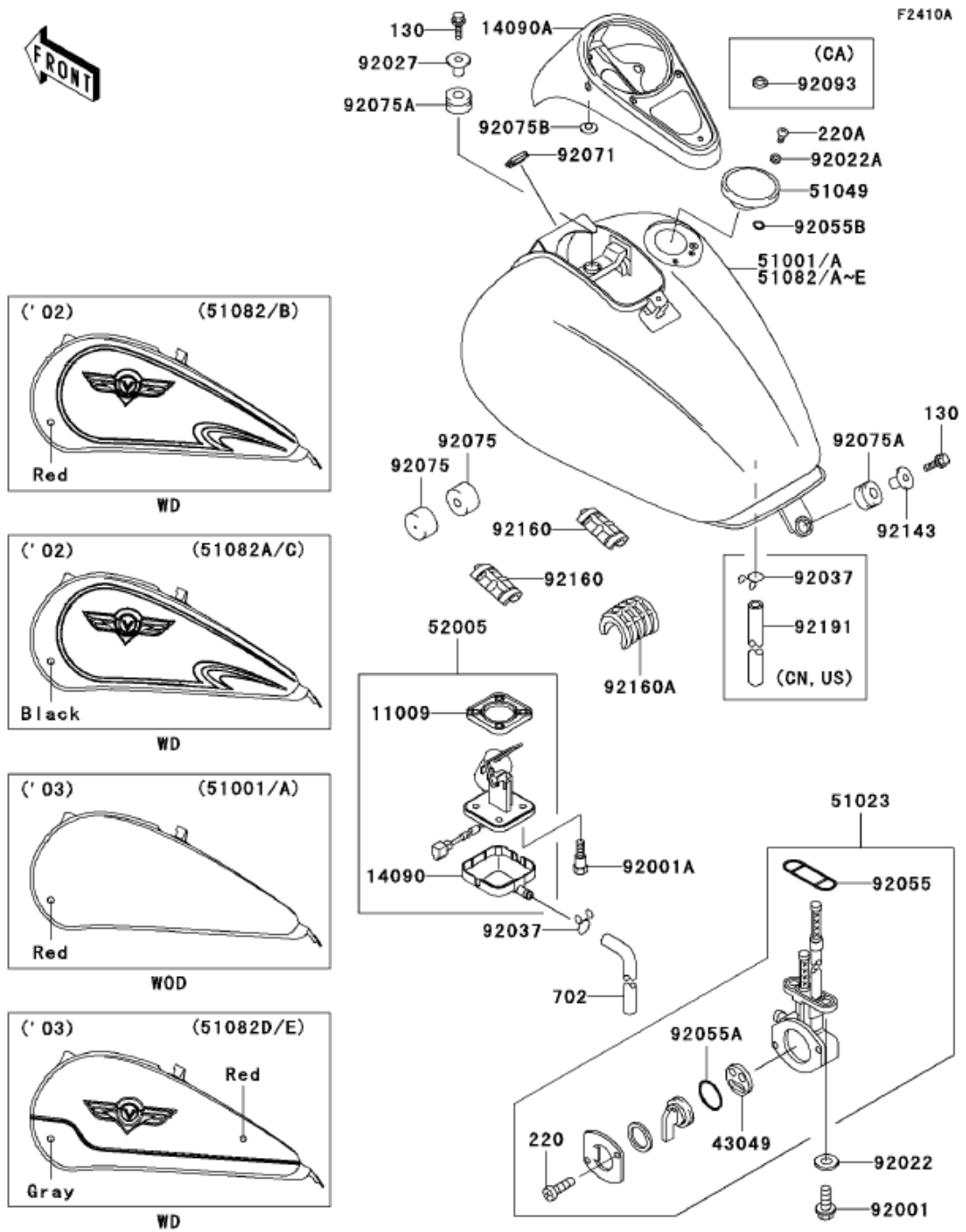


FUEL PUMP

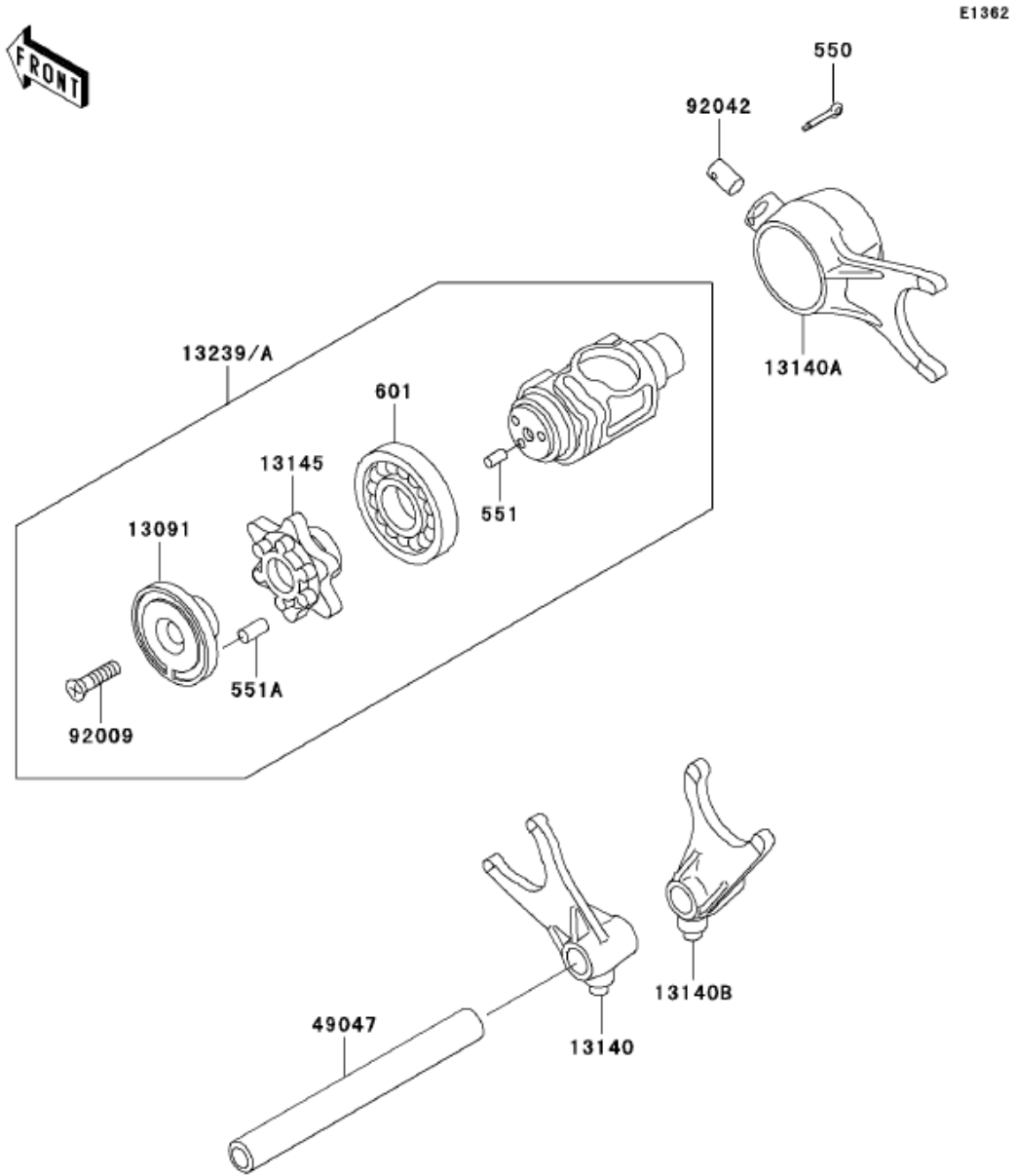
E1520



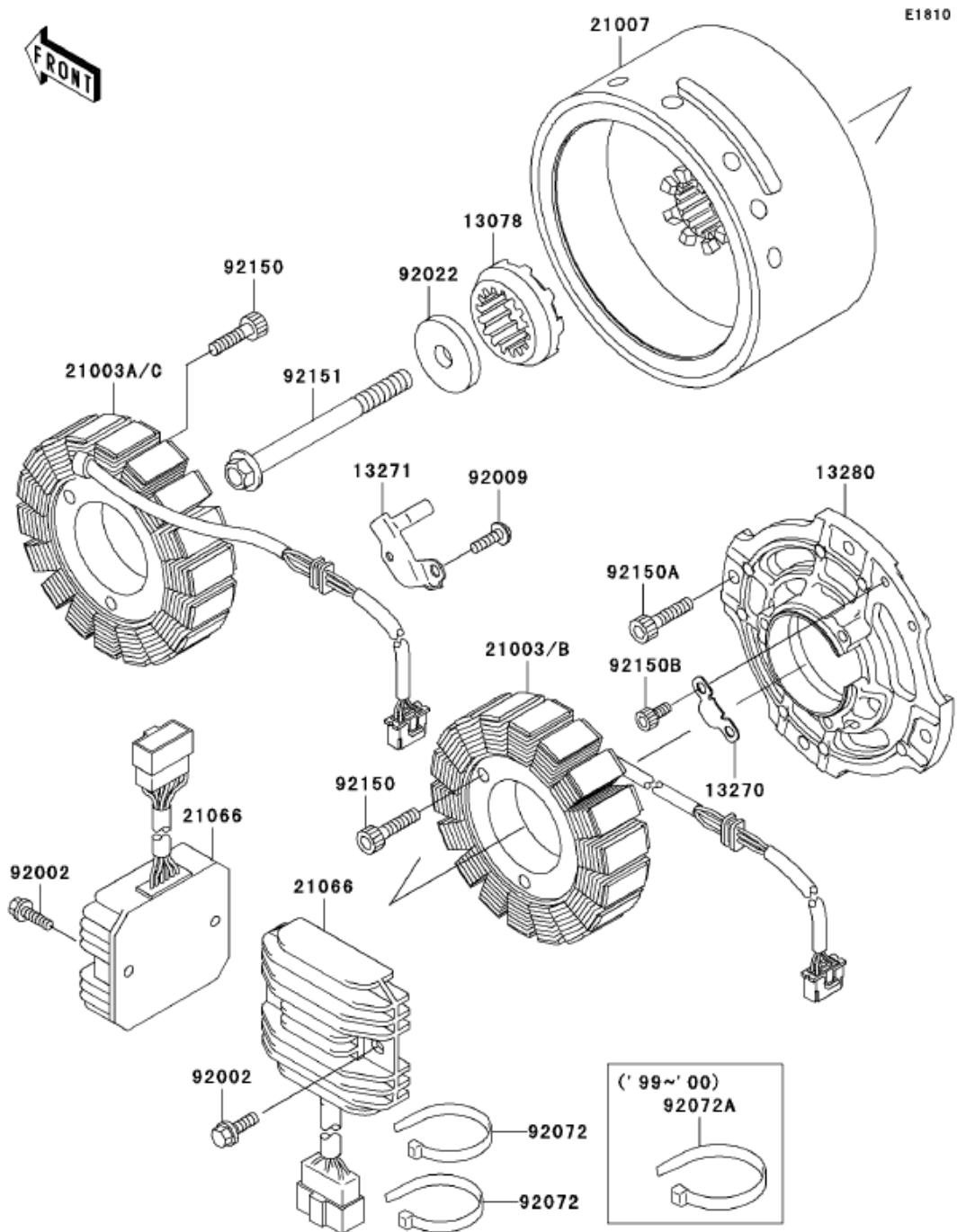
FUEL TANK (VN1500-E5/E6)



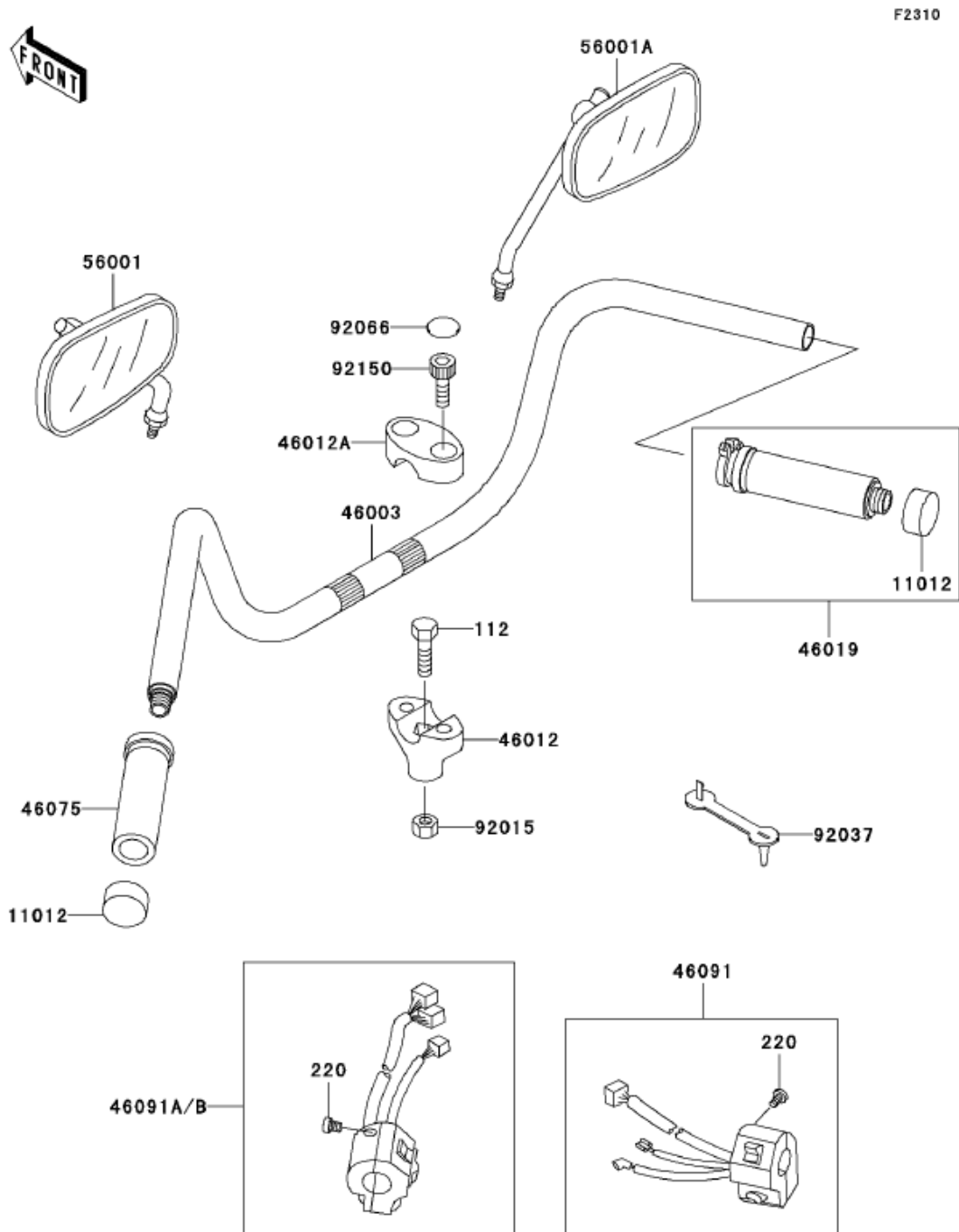
GEAR CHANGE DRUM/SHIFT FORK(S)



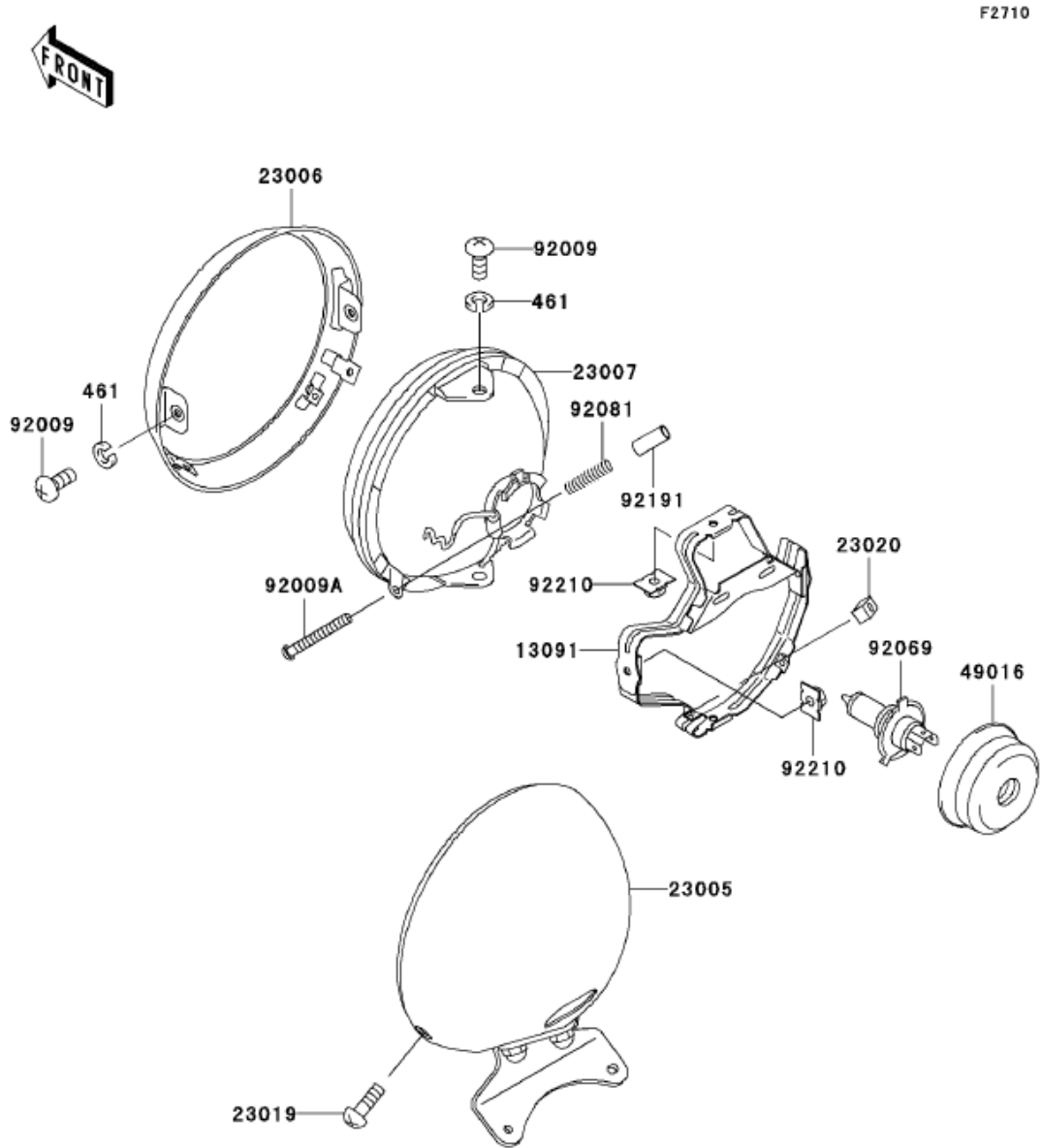
GENERATOR



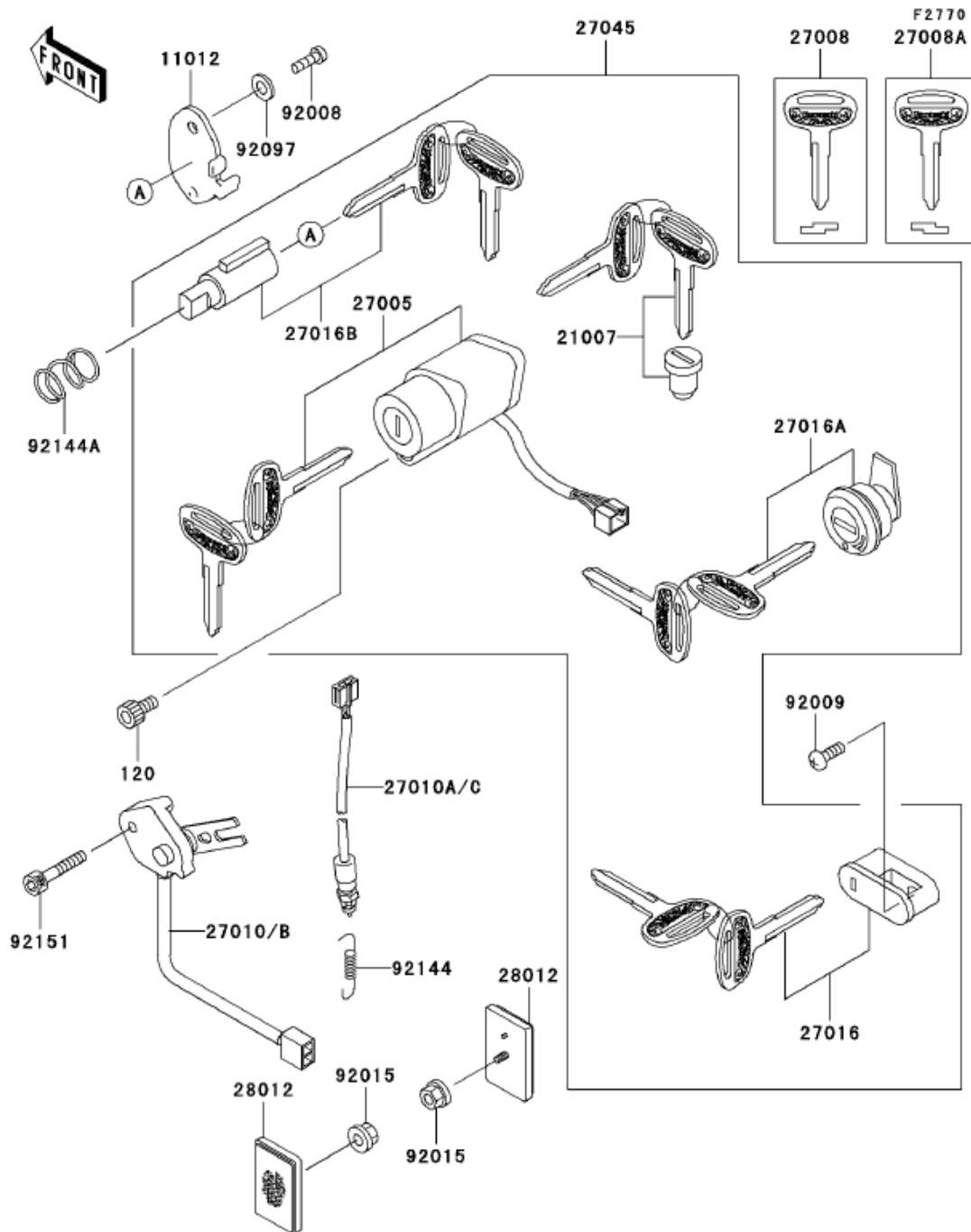
HANDLEBAR



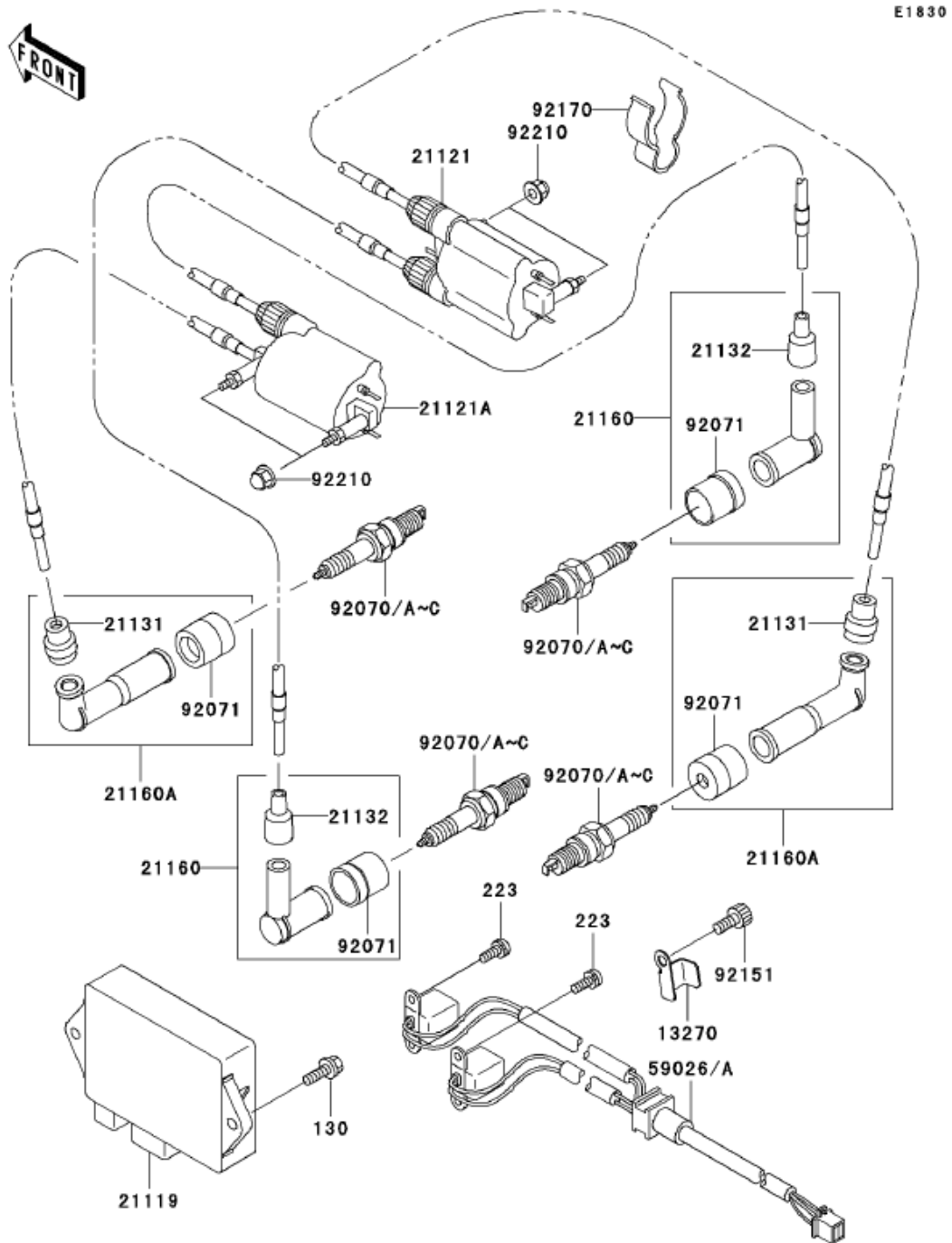
HEADLIGHT(S)



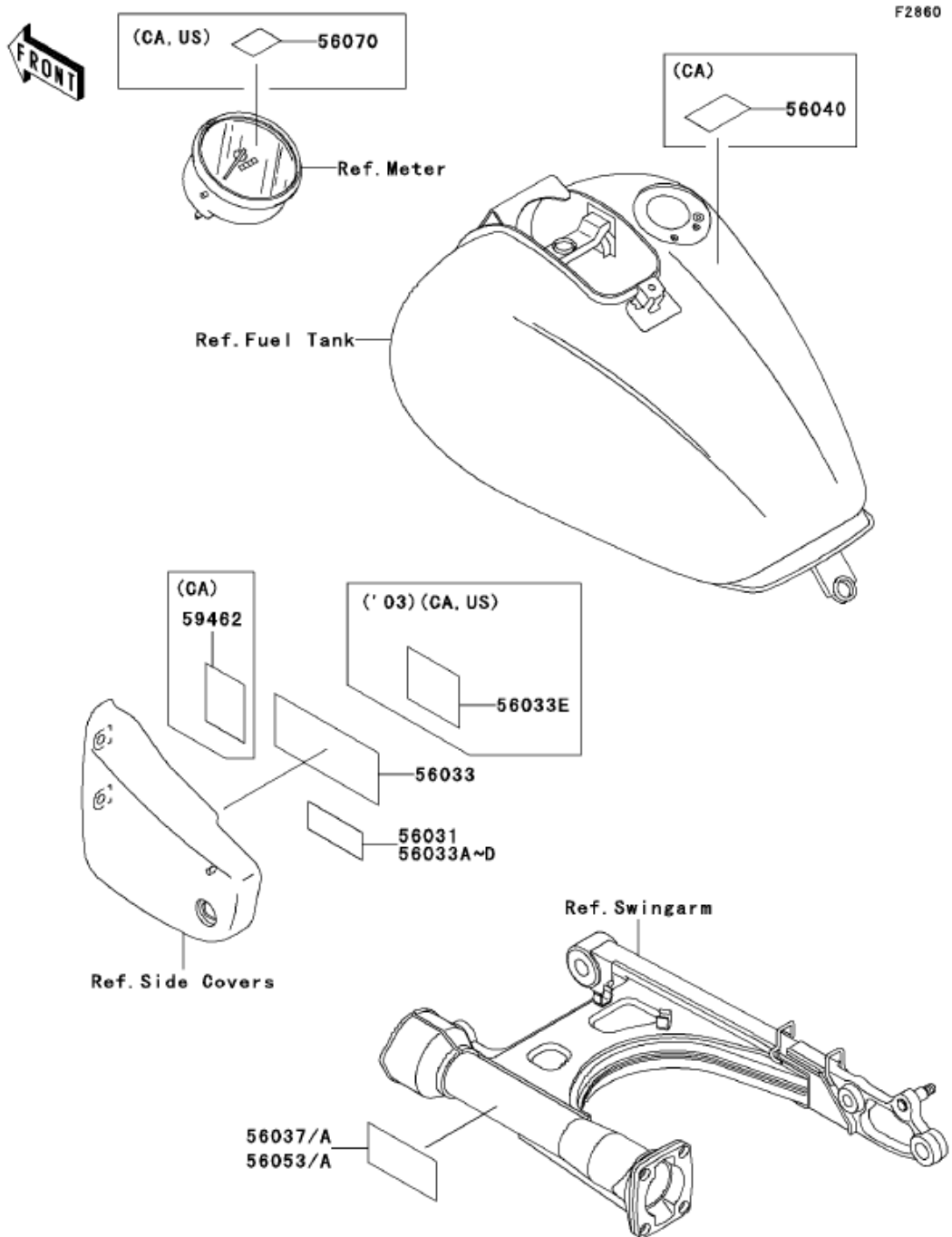
IGNITION SWITCH/LOCKS/REFLECTORS



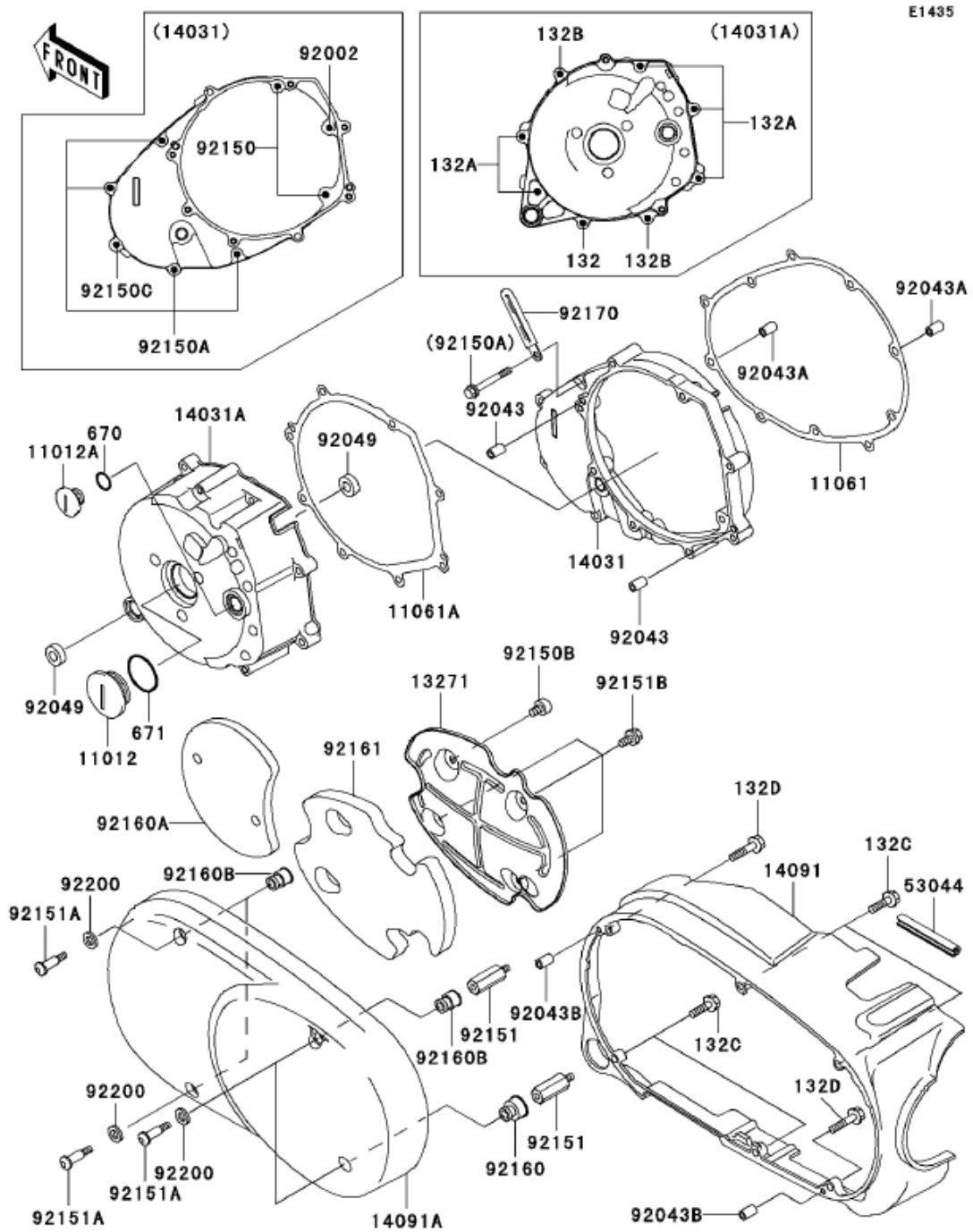
IGNITION SYSTEM



LABELS



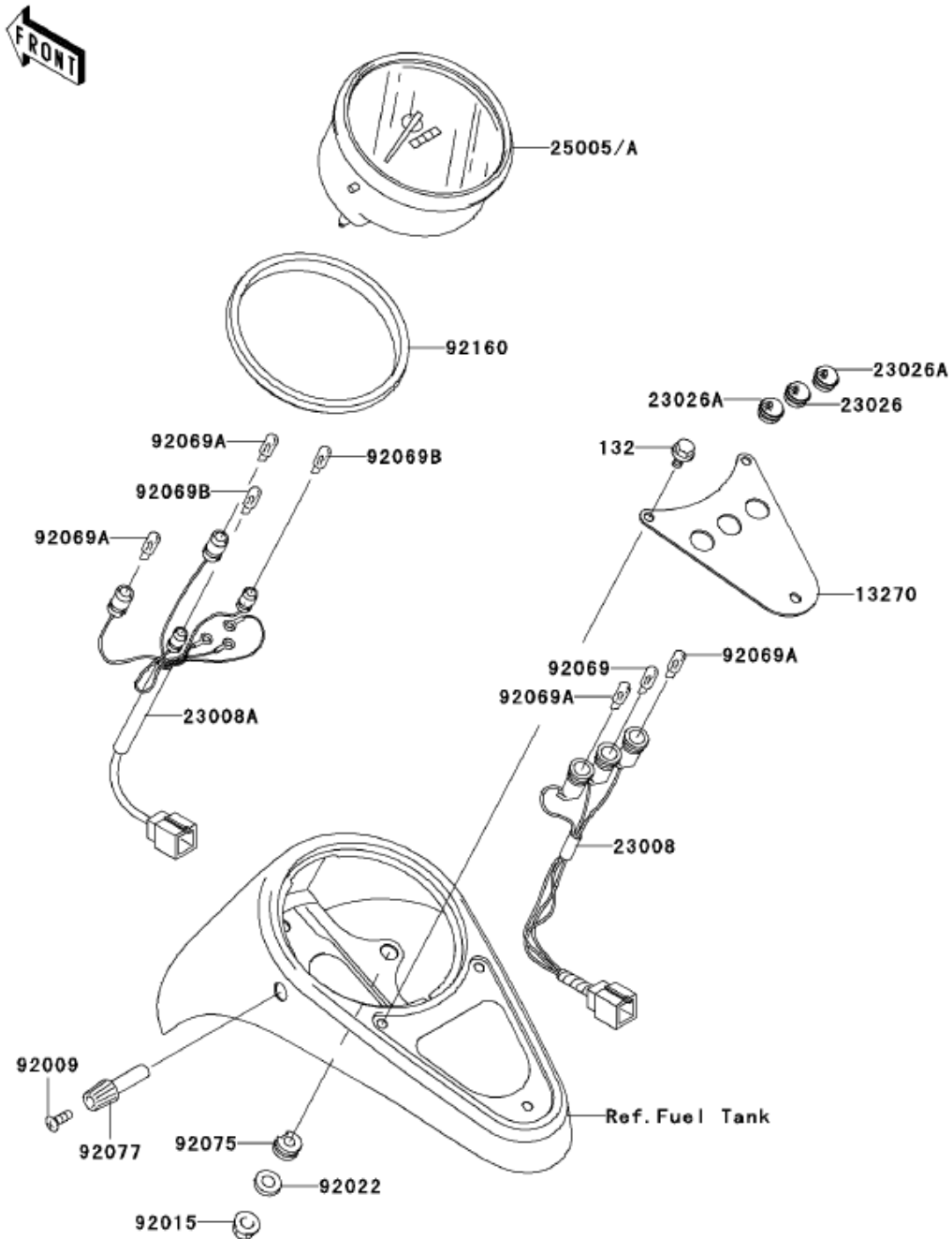
LEFT ENGINE COVER(S)



E1435

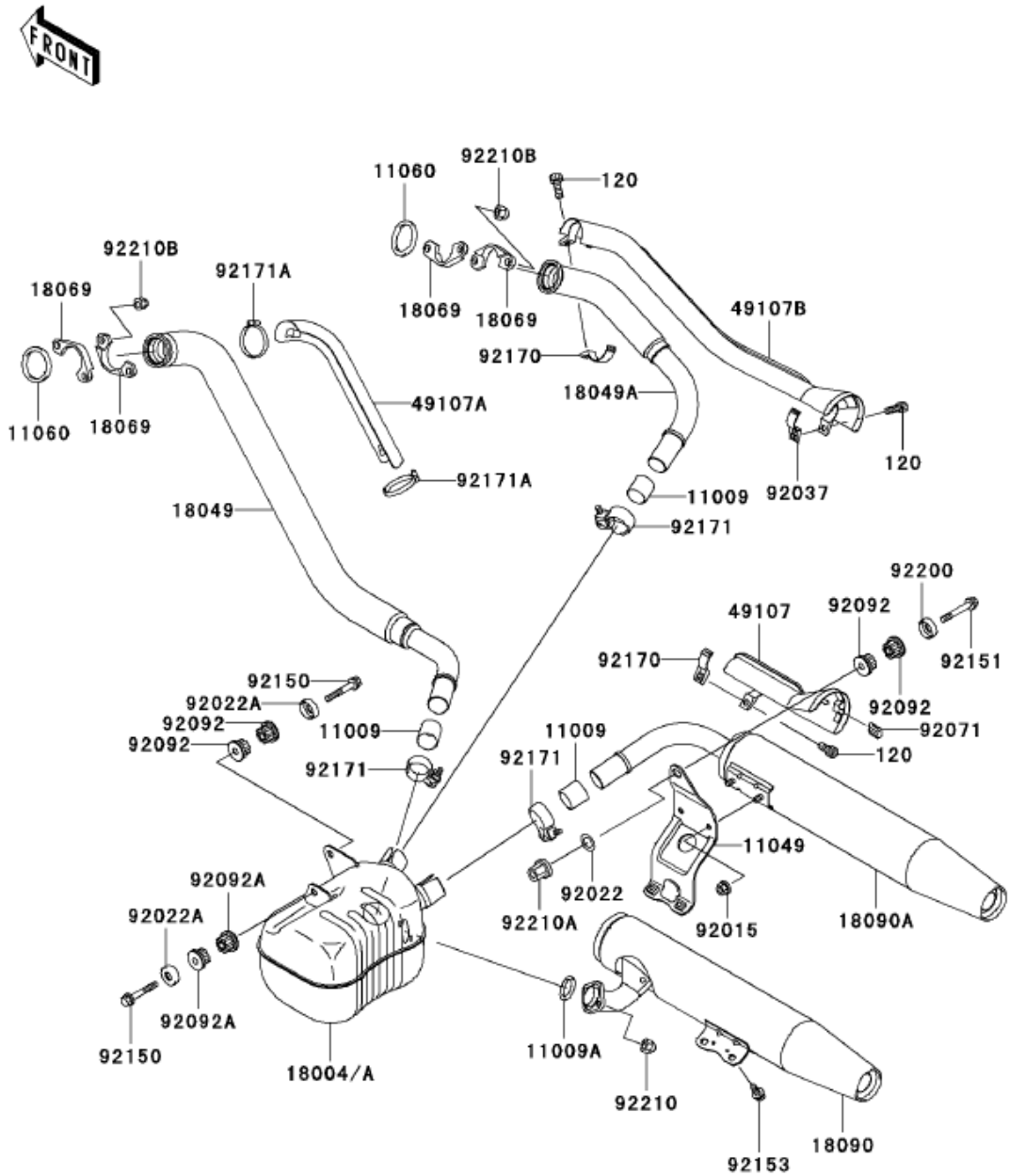
METER(S)

F2530

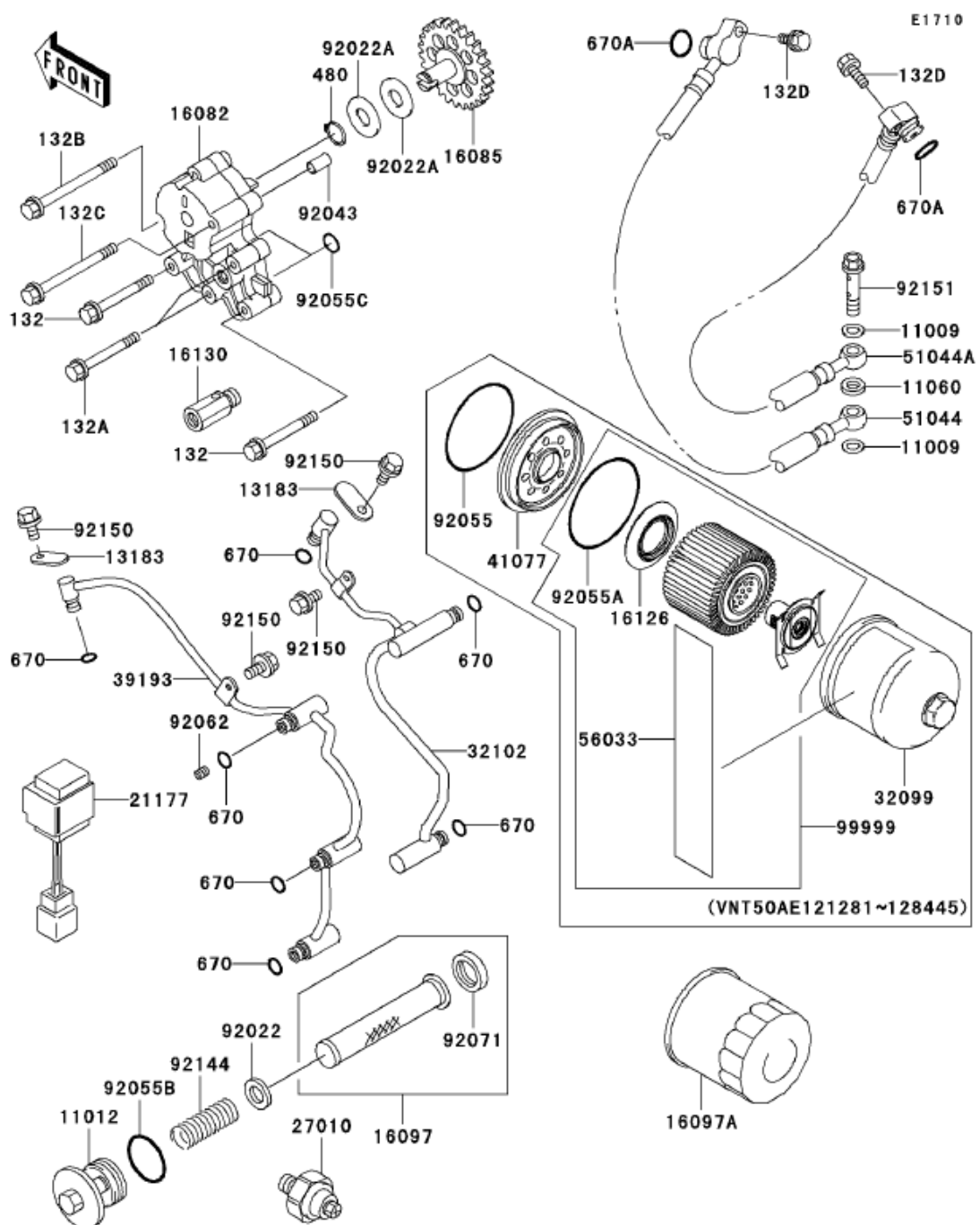


MUFFLER(S)

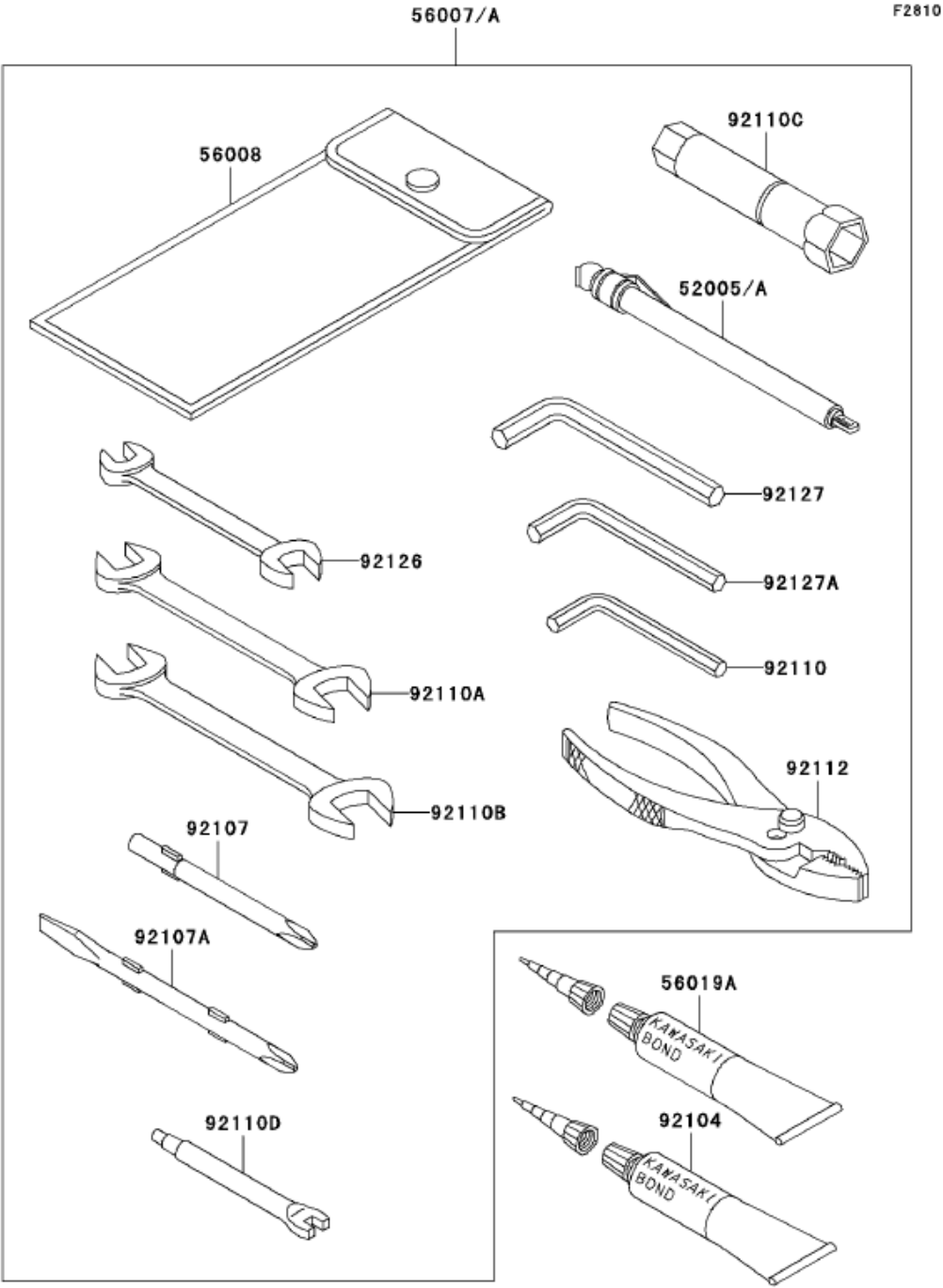
E1140



OIL PUMP/OIL FILTER



OWNER'S TOOLS

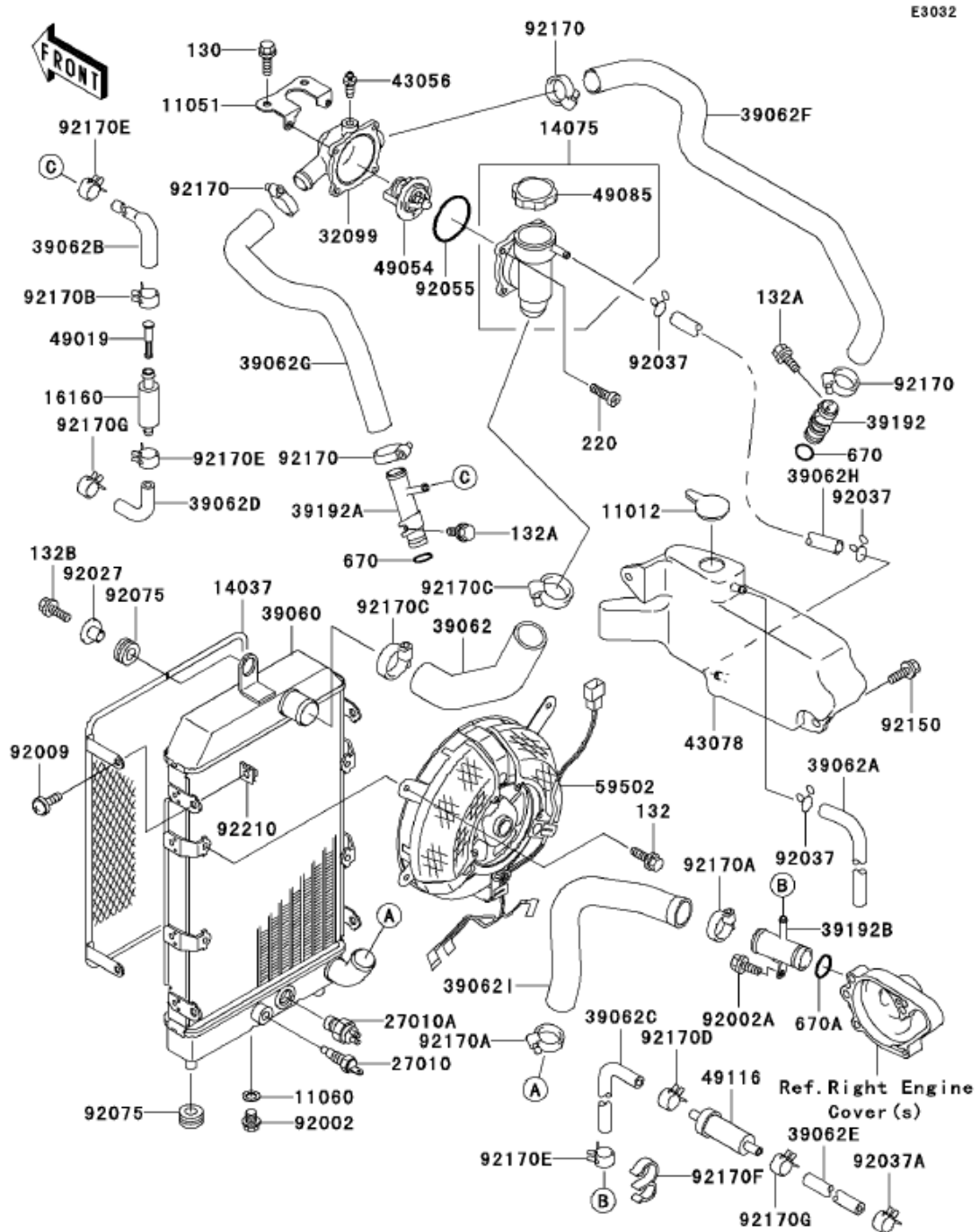


PUBLICATIONS

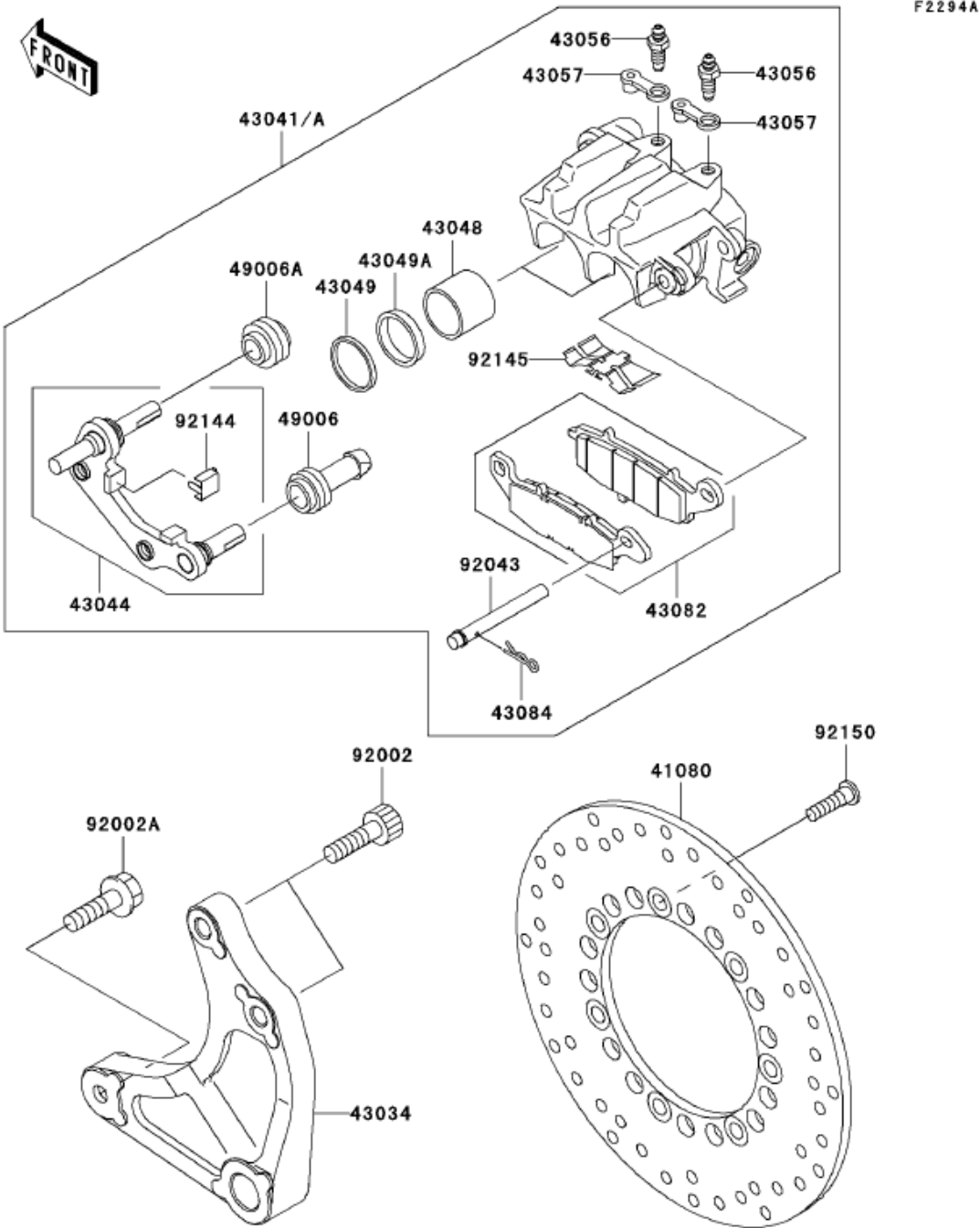
**Publications available
from Kawasaki**

Part	Description	Qty
99987-1100	Owner's Manual	1
99931-1311-01	A & P Manual	1
99931-1356-51	A & P Manual	1
99924-1078-08	Service Manual	1
99924-1191-52	Service Manual	1
99924-1229-53	Service Manual	1
99961-0472	Microfiche	1

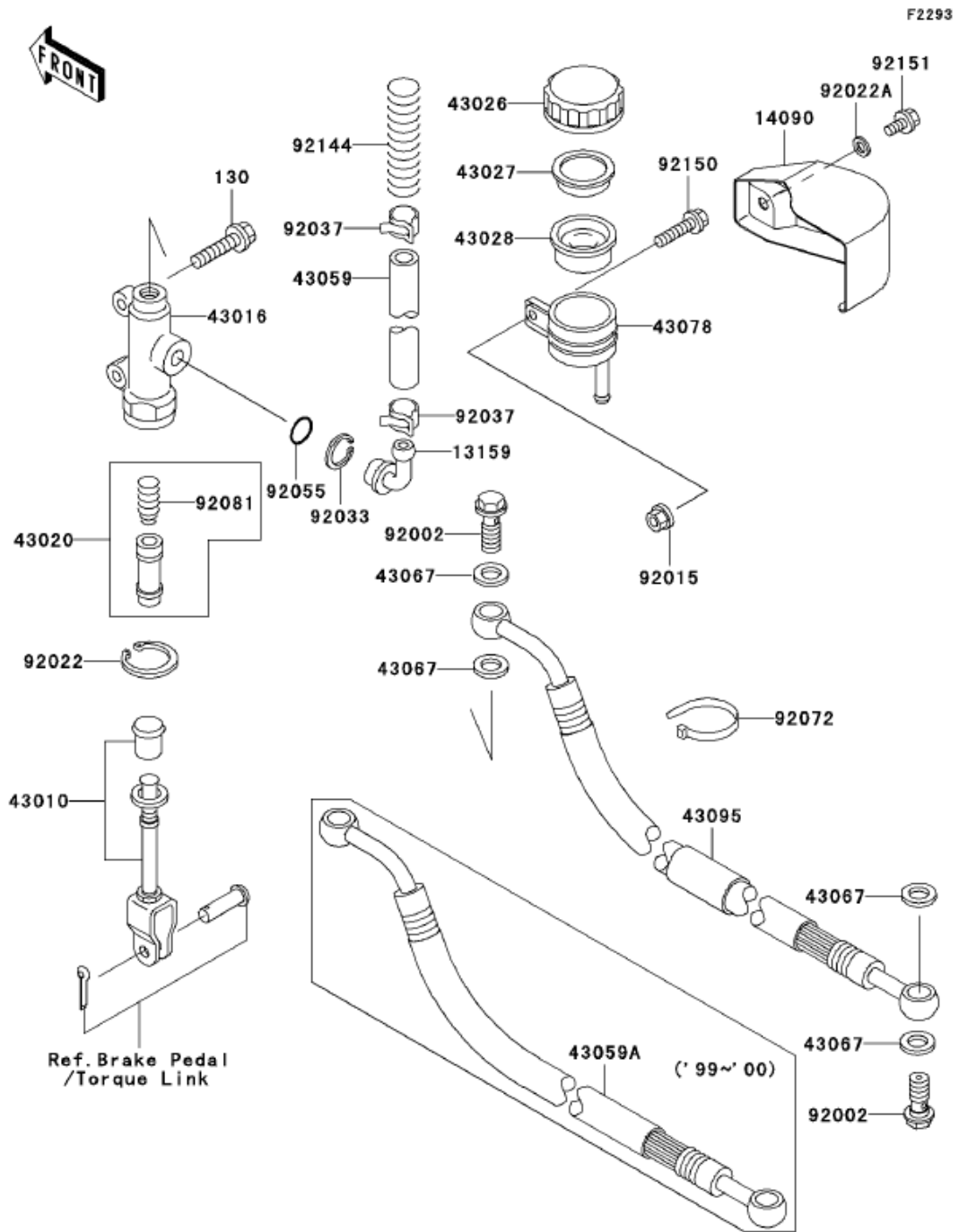
RADIATOR



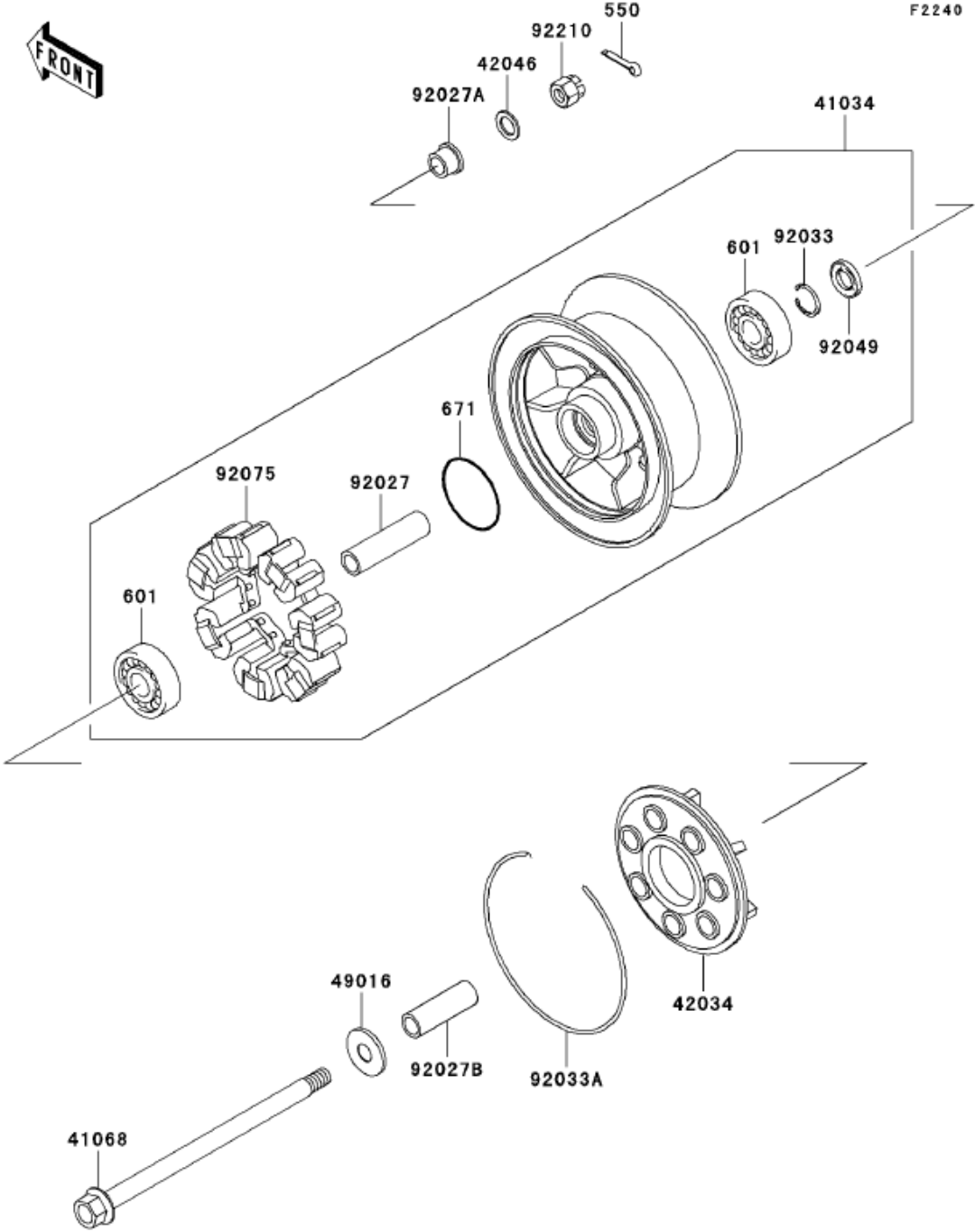
REAR BRAKE (VN1500-E4~E6)



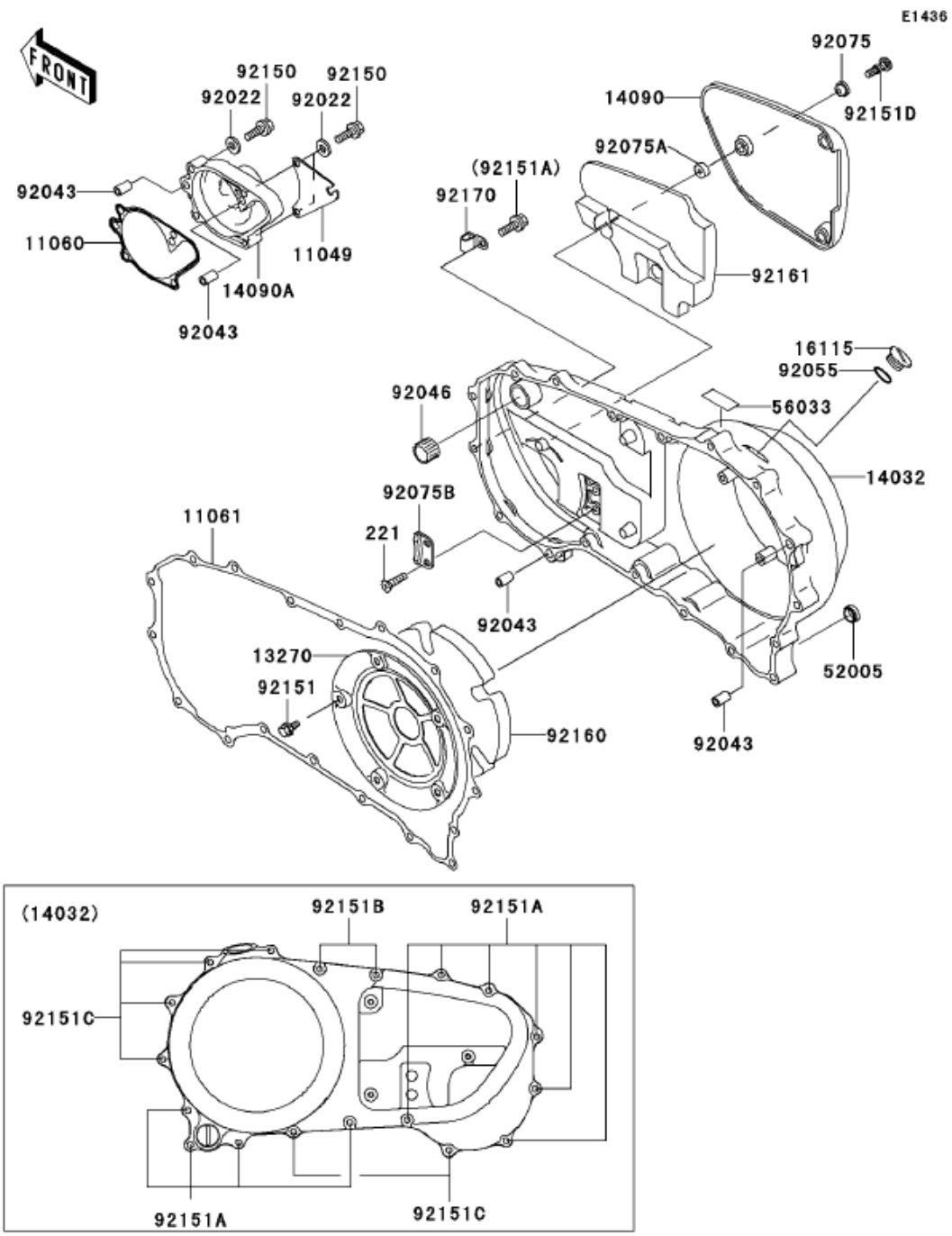
REAR MASTER CYLINDER



REAR WHEEL/CHAIN

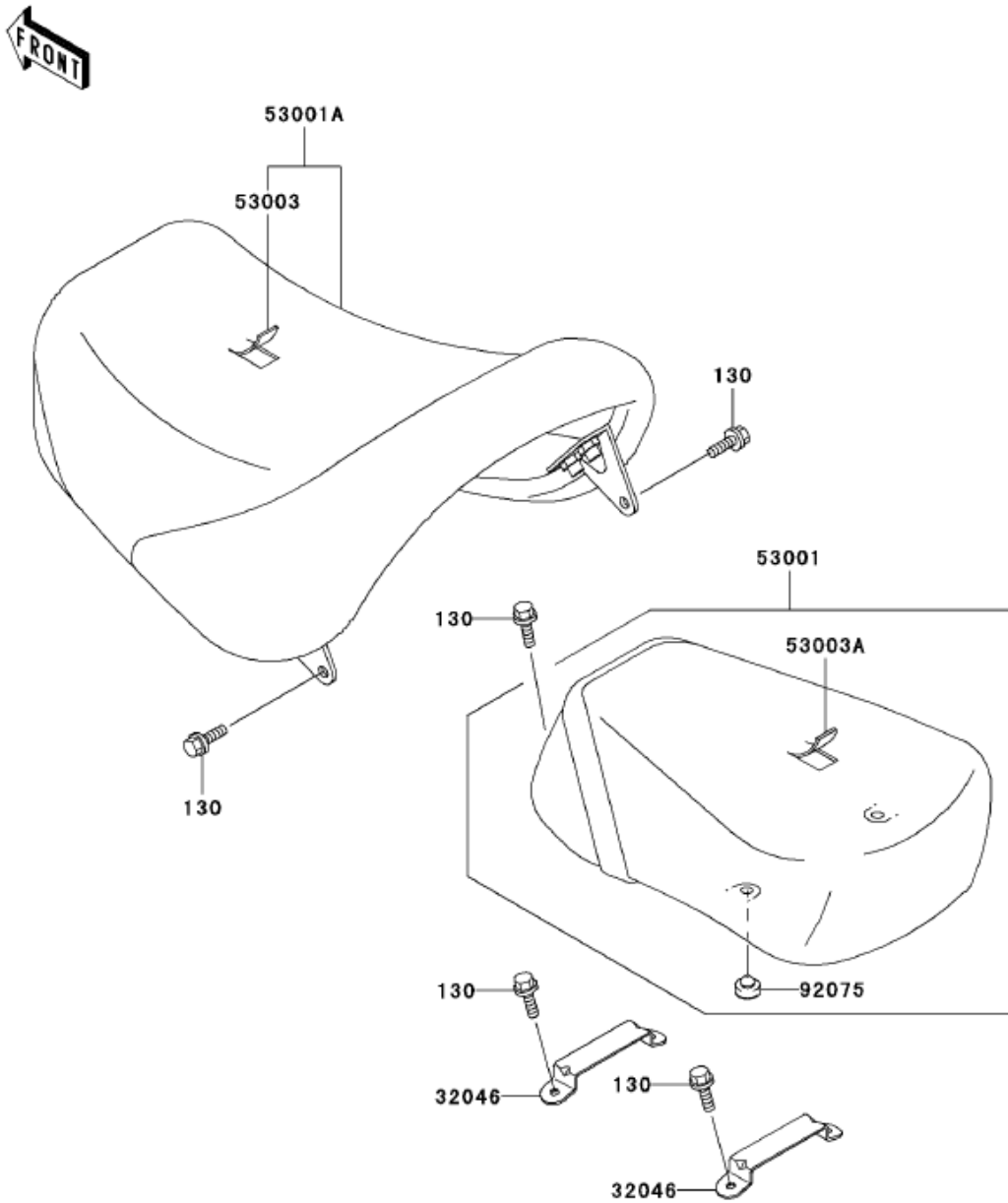


RIGHT ENGINE COVER(S)



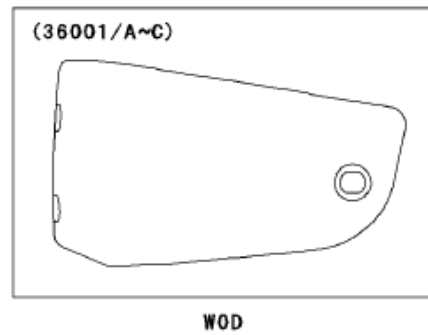
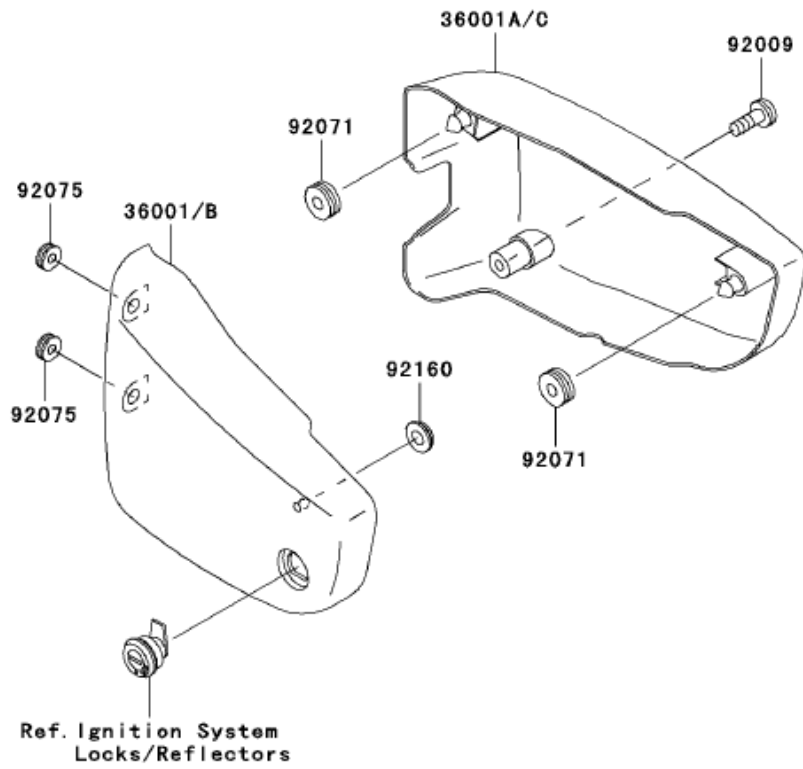
SEAT

F2510



SIDE COVERS

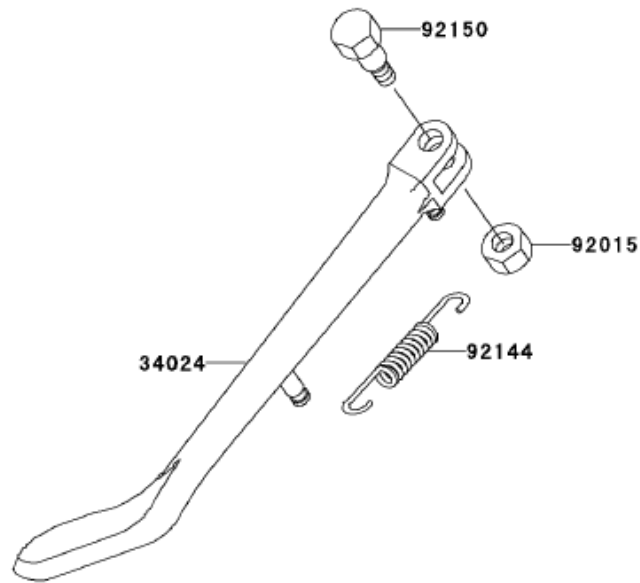
F2611



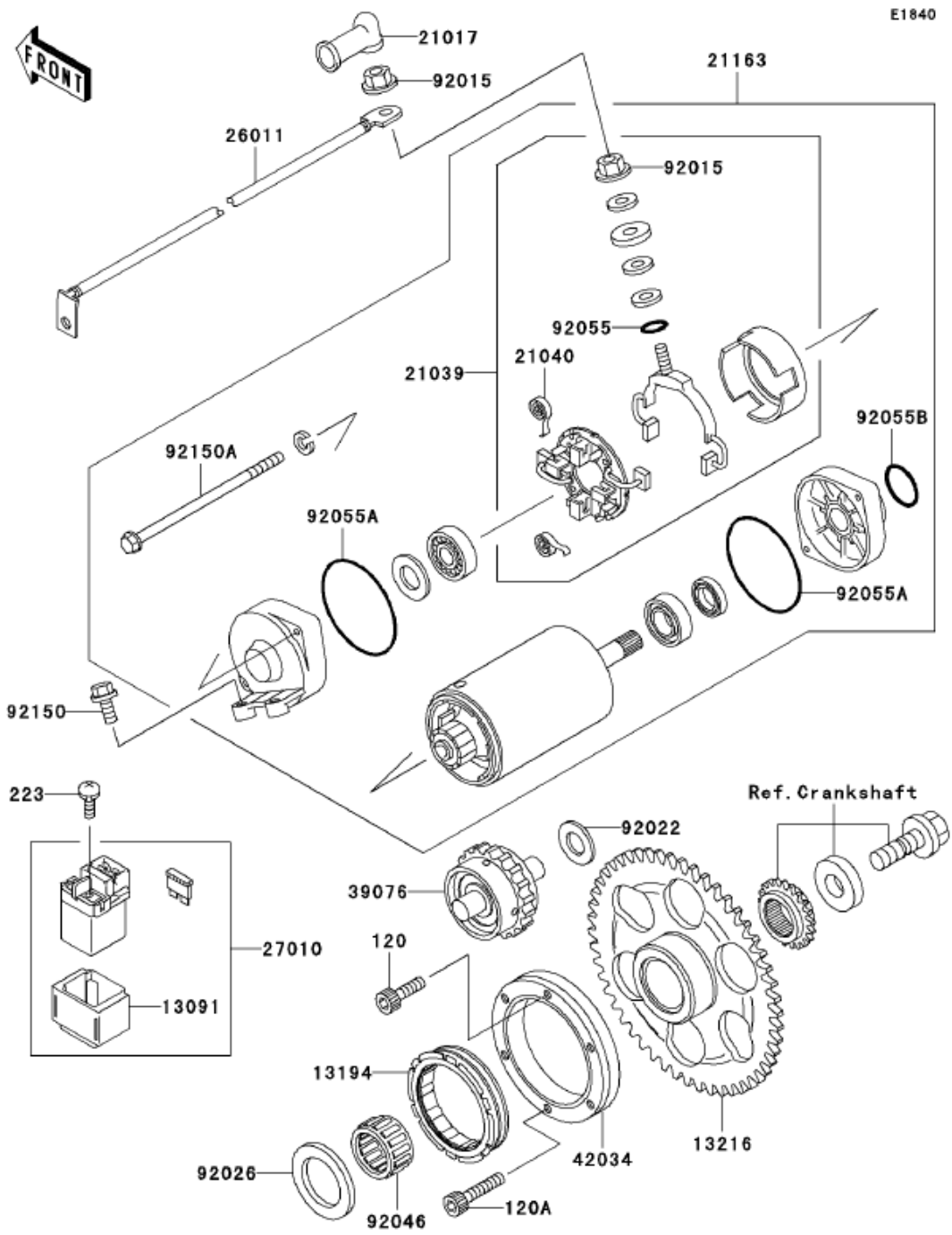
STAND(S)



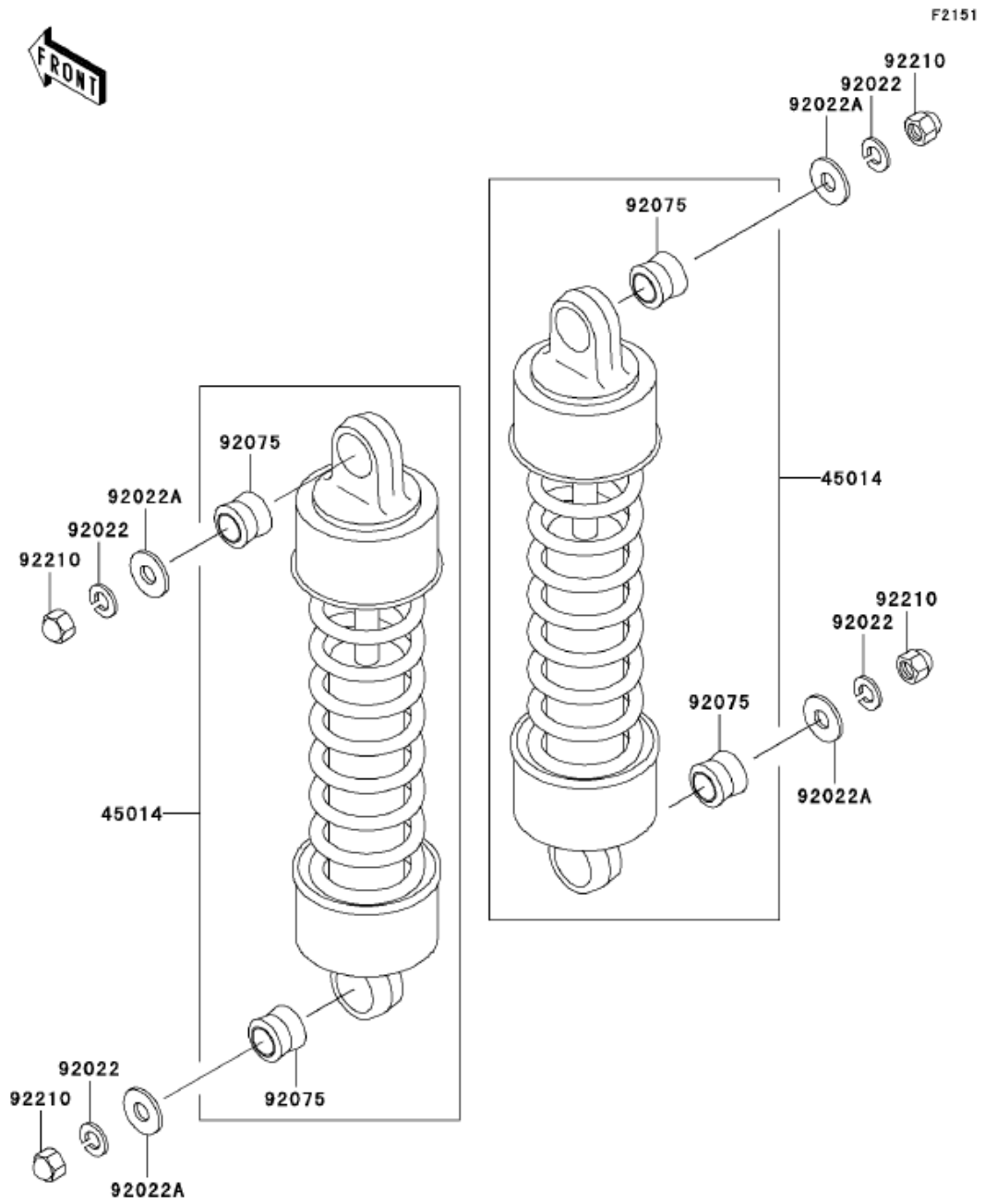
F2190



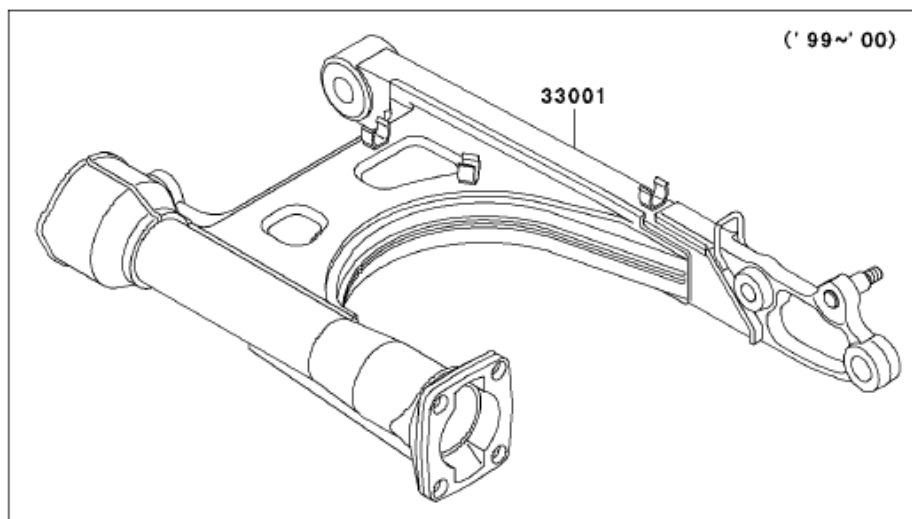
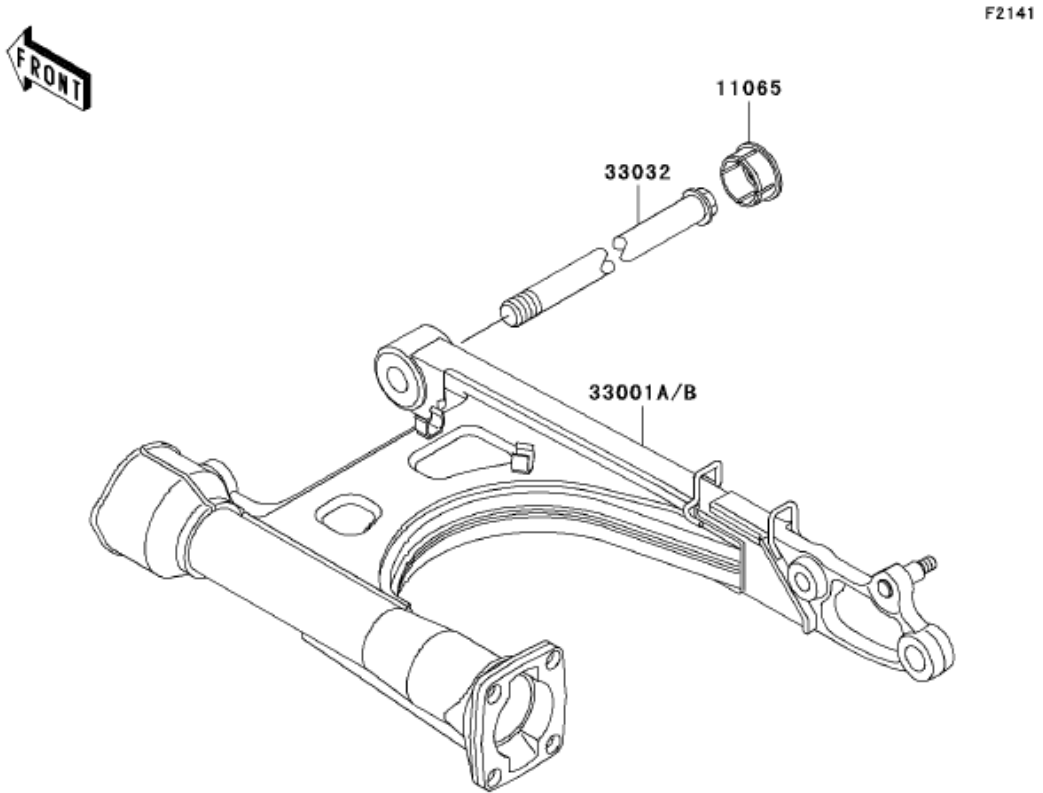
STARTER MOTOR



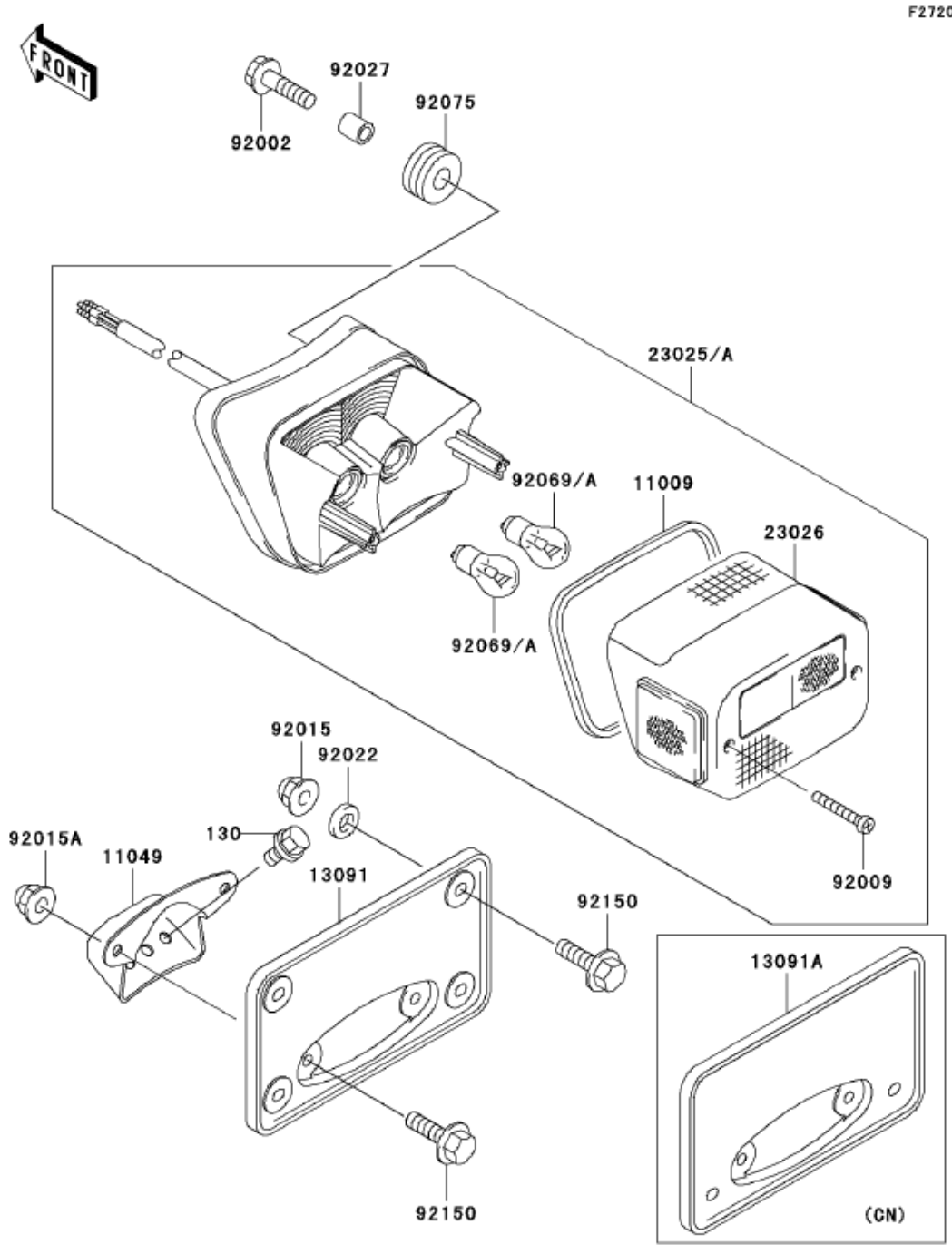
SUSPENSION/SHOCK ABSORBER



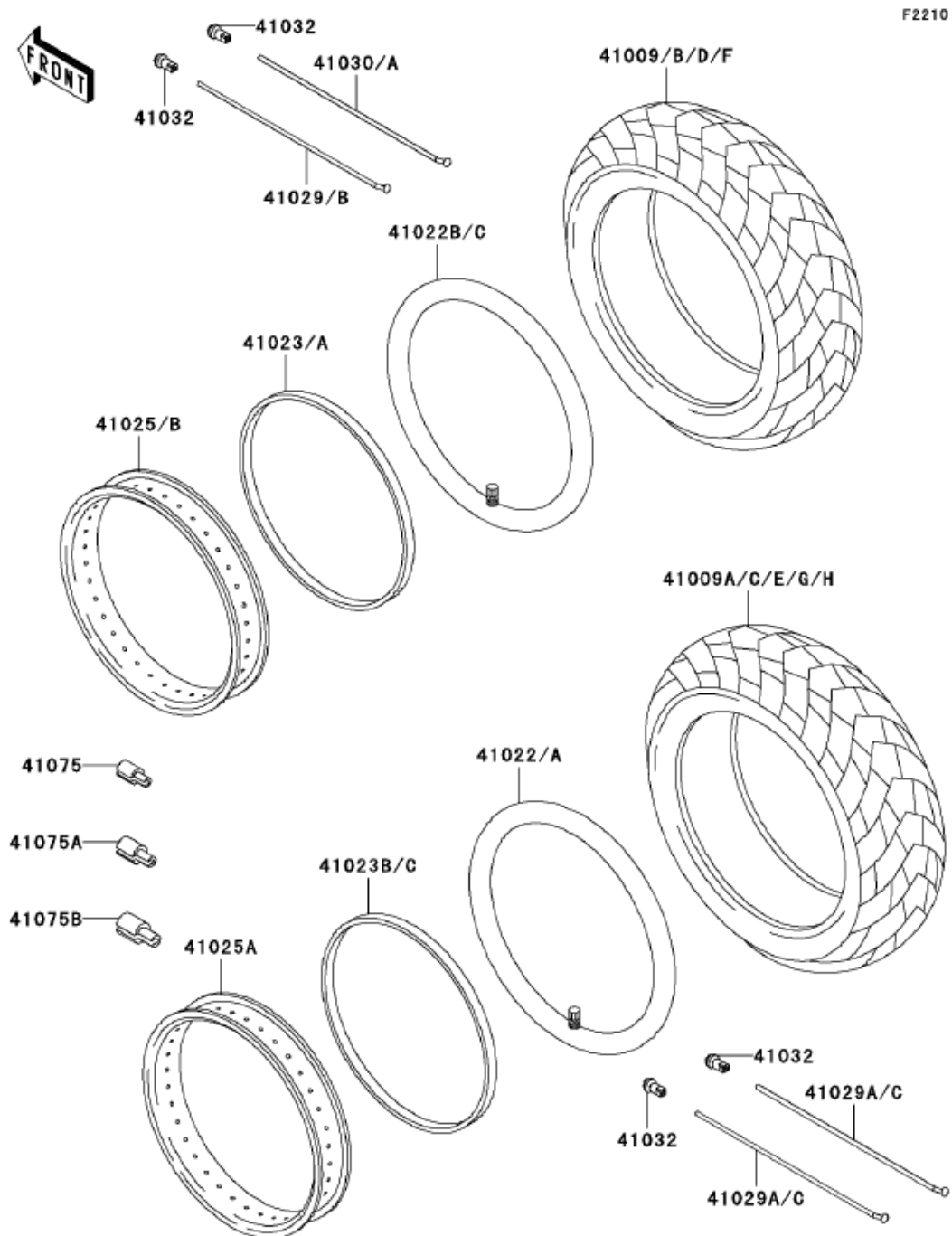
SWINGARM



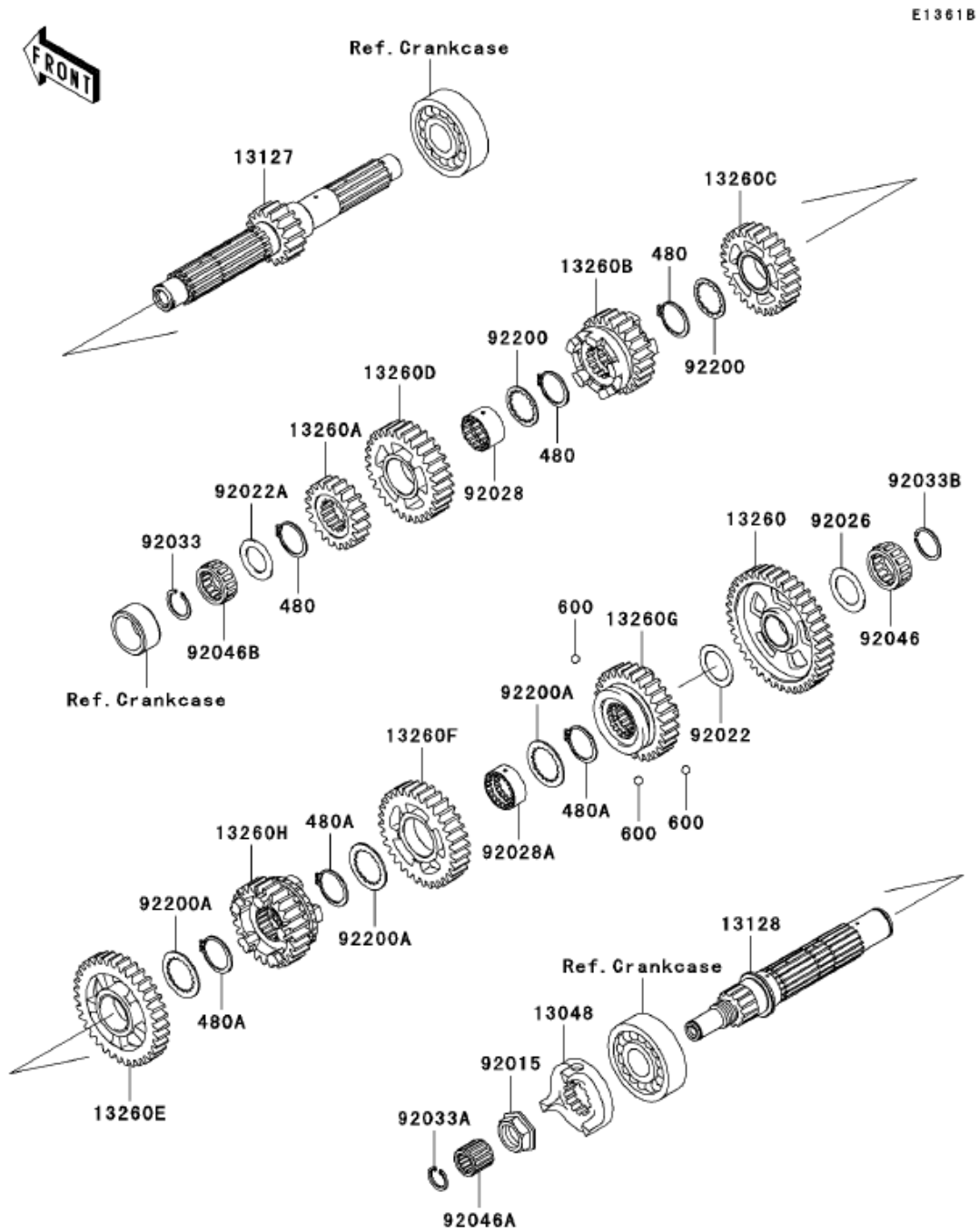
TAILLIGHT(S)



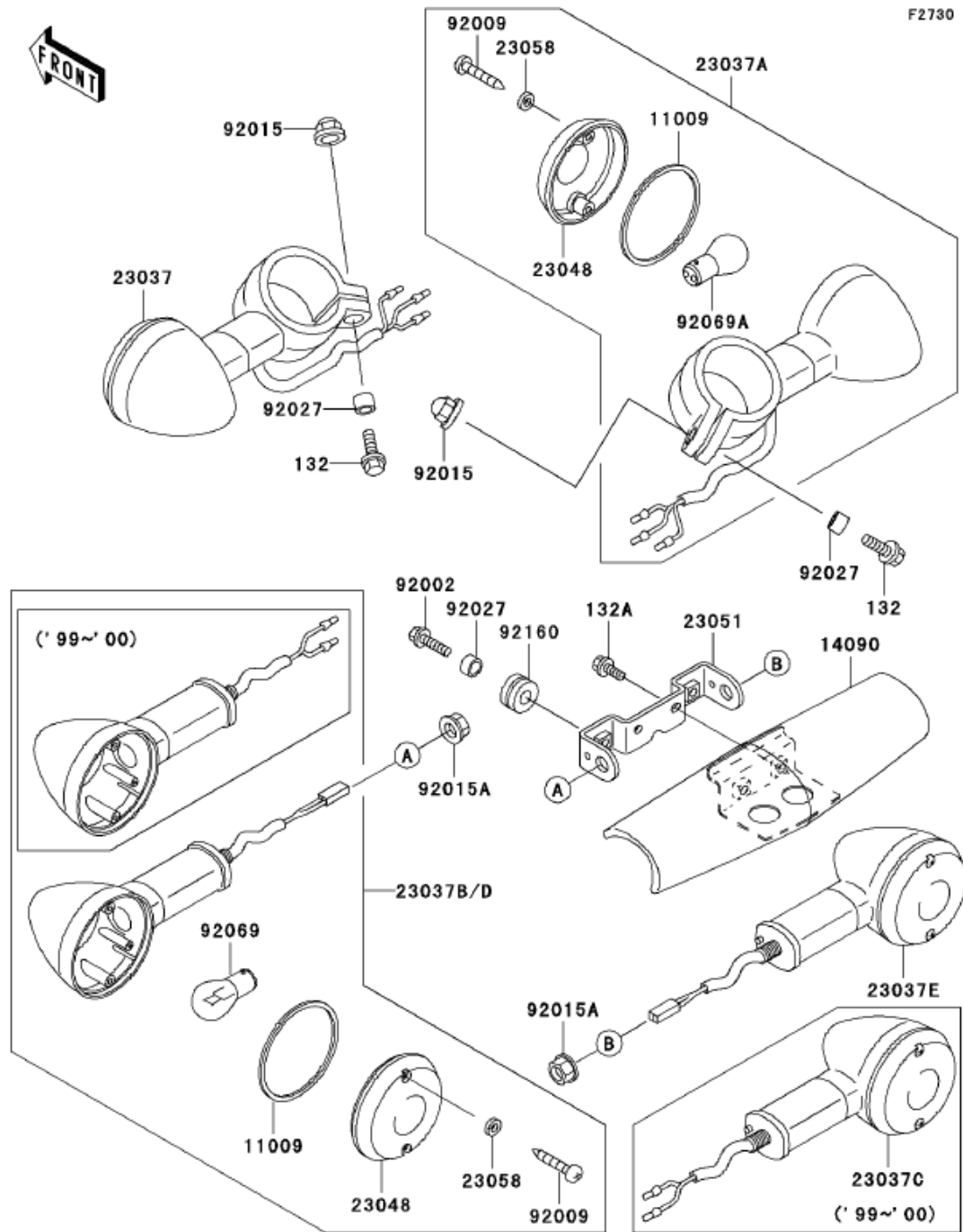
TIRES



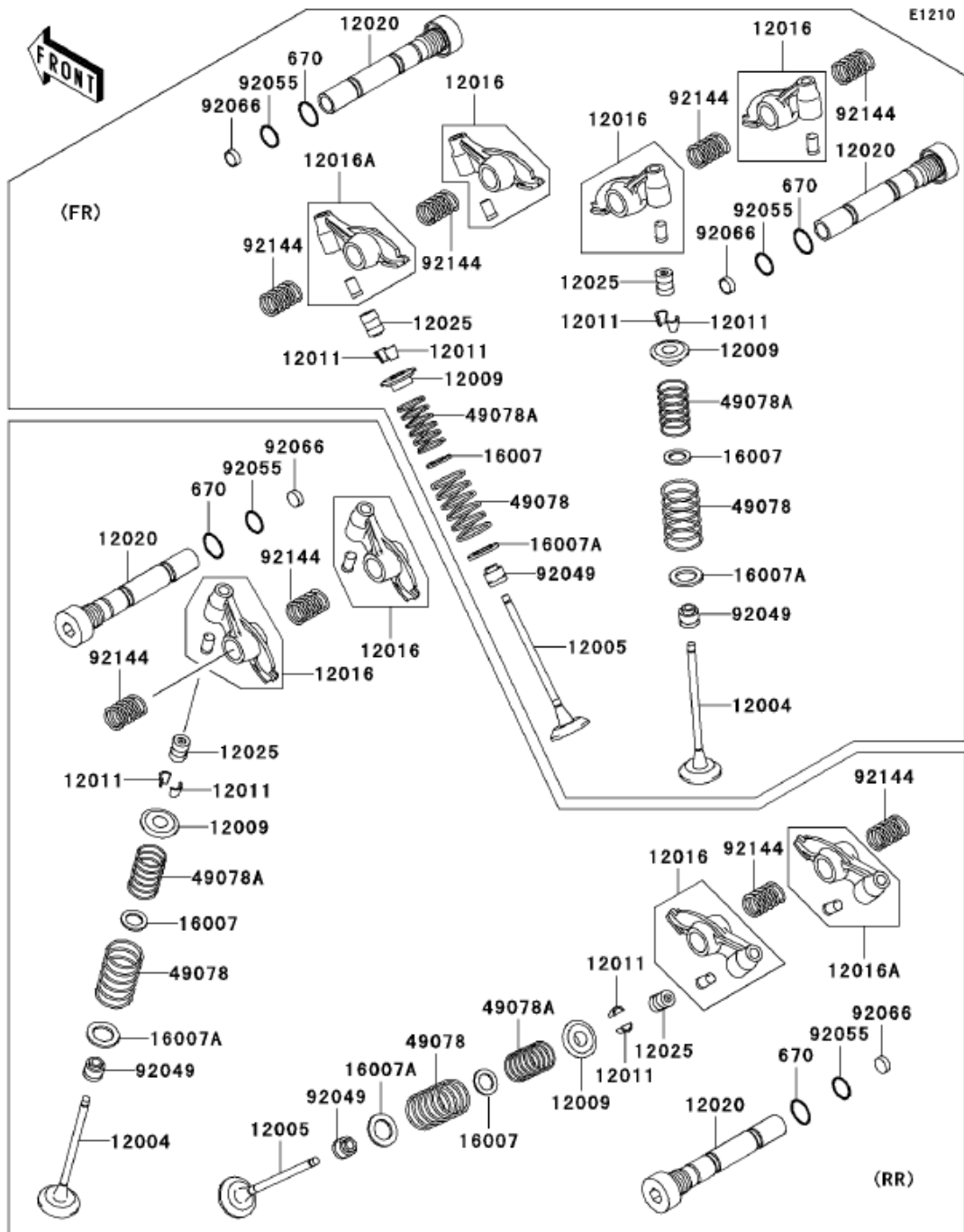
TRANSMISSION (VN1500-E5/E6)



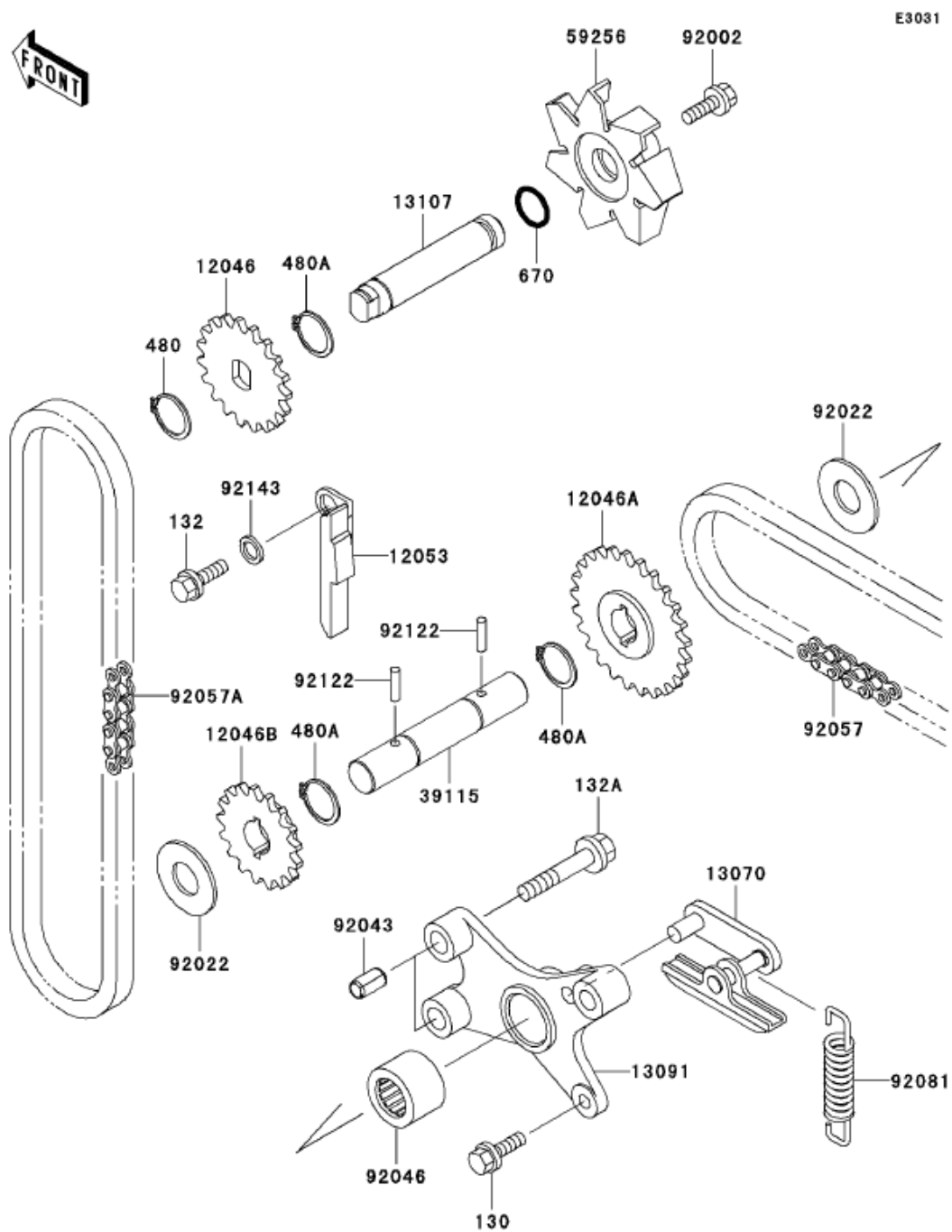
TURN SIGNALS



VALVE(S)



WATER PUMP



AIR CLEANER

63

Ref #	Part #	Description	Qty	Spec Code
11011	11011-1488	CASE-AIR FILTER,CENTER	1	
11011A	11011-1489	CASE-AIR FILTER,OUTSIDE	2	
11011B	11011-1529	CASE-AIR FILTER,RH	1	
11011C	11011-1533	CASE-AIR FILTER,LH	1	[CA]
11011D	11011-1570	CASE-AIR FILTER,LH	1	[CN,US]
11013	11013-1248	ELEMENT-AIR FILTER	1	
11049	11049-1539	BRACKET,AIR FILTER,RH	1	
11050	11050-1510	BRACKET,AIR FILTER,LH	1	
11060	11060-1736	GASKET,AIR FILTER CASE,LH	2	
14073	14073-1658	DUCT,AIR FILTER,LH	1	
14073A	14073-1660	DUCT	1	
14073B	14073-1712	DUCT,AIR FILTER,RH	1	
16126	16126-1356	VALVE,AIR SWITCH	1	
39045	39045-1056	DUCT-ASSY	1	
52014	52014-1083	ELBOW	1	
92002	92002-1595	BOLT	2	
92009	92009-1264	SCREW,TAPPING,5X16	2	
92009A	92009-1905	SCREW,5X20	4	
92022	92022-193	WASHER,6.5X20X1.6,WHITE	2	
92037	92037-1076	CLAMP,TUBE	2	
92037A	92037-147	CLAMP,TUBE	2	
92037B	92037-1712	CLAMP	2	
92037C	92037-1859	CLAMP	1	
92055	92055-1282	RING-O	1	
92059	92059-1133	TUBE,4X9X290	1	
92066	92066-1211	PLUG,DRAIN	1	
92071	92071-1114	GROMMET,AIR FILTER	1	[CA]
92071A	92071-1233	GROMMET	1	
92093	92093-1408	SEAL,AIR FILTER CASE	1	
92093A	92093-1459	SEAL,DUCT,LH	1	
92093B	92093-1460	SEAL,DUCT,RH	1	
92151	92151-1503	BOLT,6X14	2	
92160	92160-1594	DAMPER	2	
92170	92170-1445	CLAMP,TUBE	4	
92170A	92170-1695	CLAMP	2	
92172	92172-0004	SCREW,6X14	1	
132	132J0625	BOLT-FLANGED-SMALL	4	
702	702A07260	TUBE-RUBBER	1	
92191	92191-1050	TUBE,HEAD,FR-AIR SWITCH	1	
92191A	92191-1051	TUBE,HEAD,RR-AIR SWITCH	1	
92191B	92191-1054	TUBE,BREATHER	1	
92191C	92191-1089	TUBE,15.5X22.5X20	1	
92191D	92191-1266	TUBE,AIR SWITCH-DUCT	1	

BRAKE PEDAL/TORQUE LINK

64

Ref #	Part #	Description	Qty	Spec Code
130	130J0825	BOLT-FLANGED,8X25,BLACK	1	
550	550D2015	PIN-COTTER,2.0X15	1	
39156	39156-1540	PAD,BRAKE PEDAL	1	
43001	43001-1367	LEVER-BRAKE,PEDAL	1	
43001A	43001-1368	LEVER-BRAKE	1	
92009	92009-1677	SCREW,6X8	1	
92022	92022-1582	WASHER,8.5X16X1.2	1	
92043	92043-1013	PIN,8X16	1	
92144	92144-1169	SPRING,BRAKE PEDAL RETURN	1	

CABLES

Ref #	Part #	Description	Qty	Spec Code
130	130J0614	BOLT-FLANGED,6X14,BLACK	2	
220	220C0514	SCREW-PAN-CROSS	1	
11049	11049-1888	BRACKET,CHOCK CABLE	1	
54001	54001-1215	CABLE-SPEEDMETER	1	
54012	54012-1593	CABLE-THROTTLE,OPENING	1	
54012A	54012-1594	CABLE-THROTTLE,CLOSING	1	
54017	54017-1187	CABLE-STARTER	1	
92170	92170-1652	CLAMP,CABLE	1	
92170A	92170-1697	CLAMP,CABLE	1	
92170B	92170-1729	CLAMP,CABLE	1	

CABLESCAMSHAFT(S)/TENSIONER

Ref #	Part #	Description	Qty	Spec Code
610	610A0406	ROLLER,4X6	2	
11009	11009-1858	GASKET,TENSIONER	2	
11012	11012-1959	CAP,TENSIONER	2	
12044	12044-1394	CAMSHAFT-VALVE,FR	1	
12044B	12044-1495	CAMSHAFT-VALVE,RR	1	
12046	12046-1175	SPROCKET,CAMSHAFT,FR,46T	1	
12046A	12046-1176	SPROCKET,CAMSHAFT,RR,46T	1	
12048	12048-1160	TENSIONER-ASSY	2	
12053	12053-1219	GUIDE-CHAIN,FR,TENSIONER	1	
12053A	12053-1221	GUIDE-CHAIN,RR,TENSIONER	1	
13183	13183-1096	PLATE	1	
13235	13235-1070	GUIDE-COMP,FR	1	
13235A	13235-1071	GUIDE-COMP,RR	1	
14020	14020-1054	RETAINER,TENSIONER	2	
21118	21118-1061	DECOMPRESSOR,FR	1	
21118B	21118-1085	DECOMPRESSOR,RR	1	
92001	92001-1457	BOLT,6X16	4	
92002	92002-1356	BOLT,6MM	2	
92022	92022-227	WASHER,7X27X1.6	1	
92022A	92022-304	WASHER,6.2X11X1	2	
92055	92055-1555	RING-O,TENSIONER	2	
92057	92057-1422	CHAIN,CAM,92RH2010	2	

92066	92066-1198	PLUG	2	
92143	92143-1836	COLLAR,TENSIONER	2	
92144	92144-1921	SPRING,TENSIONER	2	
92150	92150-1725	BOLT,FLANGED,6X11	4	
92150A	92150-1795	BOLT,SOCKET,6X20	4	
92150B	92150-1868	BOLT,6X12	2	

CARBURETOR

Ref #	Part #	Description	Qty	Spec Code
13270	13270-1286	PLATE,FITTING STAY	1	
13270A	13270-1513	PLATE	1	
13280	13280-1087	HOLDER,NEEDLE JET	1	
14025	14025-1890	COVER,MIXING CHAMBER	1	
14025A	14025-1903	COVER,AIR CUT VALVE	1	
14090	14090-1635	COVER,ACCELERATOR	1	
15003	15003-1380	CARBURETOR-ASSY	1	
16007	16007-1113	SEAT-SPRING,DIAPHRAGM VALVE	1	
16009	16009-1941	NEEDLE-JET,N2PY	1	
16009A	16009-1995	NEEDLE-JET,N5AM	1	(OPTION)
16014	16014-1082	SCREW-PILOT AIR	1	
16016	16016-1087	PLUNGER	1	
16017	16017-1276	JET-NEEDLE,01B38	1	
16021	16021-1219	SCREW-THROTTLE STOP	1	
16031	16031-1090	FLOAT	1	
16126	16126-1325	VALVE,VACUUM	1	
21176	21176-1078	SENSOR	1	
39092	39092-1058	PIN-HAIR	2	
43028	43028-0002	DIAPHRAGM	1	
43028A	43028-1053	DIAPHRAGM,5.9MM,AIR CUT VALVE	1	
46102	46102-1400	ROD,ACCELERATOR PUMP	1	
92005	92005-1350	FITTING	1	
92009	92009-1365	SCREW,5X10	1	
92009A	92009-1551	SCREW,DRAIN,M6X0.75	1	
92009B	92009-1704	SCREW,4X8	1	
92022	92022-1480	WASHER,PLAIN,STOP SPRING	1	
92037	92037-1531	CLAMP,TUBE	1	
92037A	92037-1552	CLAMP,HOSE	1	[CN,US]
92055	92055-1245	RING-O	1	
92055A	92055-1518	RING-O,FLOAT CHAMBER	1	
92063	92063-1013	JET-MAIN,#140	1	(OPTION)
92063A	92063-1014	JET-MAIN,#135	1	(OPTION)
92063B	92063-1015	JET-MAIN,#138	1	
92063C	92063-1016	JET-MAIN,#142	1	(OPTION)
92063D	92063-1076	JET-MAIN,#132	1	(OPTION)
220	220D0414	SCREW-PAN-CROS	4	
223	223D0408	SCREW-PAN-WS-CROS	2	
223A	223D0410	SCREW-PAN-WS-CROS	3	
225	225C0418	SCREW-PAN-WSP-CROS	4	
92064	92064-1177	JET-PILOT,#45	1	

92064A	92064-1194	JET-PILOT,#42	1	(OPTION)
92066	92066-1051	PLUG,PILOT AIR SCREW,6.9X2	1	
92081	92081-1092	SPRING,DIAPHRAGM	1	
92093	92093-1046	SEAL,"U"RING	1	
92143	92143-1790	COLLAR	1	
92143A	92143-1791	COLLAR	1	
92143B	92143-1907	COLLAR	1	
92144	92144-1885	SPRING	1	
92144A	92144-1886	SPRING	1	
92144B	92144-1947	SPRING,VACUUM VALVE	1	
92191	92191-1090	TUBE,AIR VENT	1	[CN,US]
92191A	92191-1261	TUBE,FUEL	1	
92200	92200-1274	WASHER	1	
92200A	92200-1275	WASHER	1	

CHASSIS ELECTRICAL EQUIPMENT

Ref #	Part #	Description	Qty	Spec Code
130	130J0630	BOLT-FLANGED,6X30,BLACK	2	
130A	130V0610	BOLT-FLANGED,6X10	1	
21061	21061-1003	RECTIFIER	1	
26006	26006-1067	FUSE,30A-G	1	
26006A	26006-1068	FUSE,10A-R	8	
26011B	26011-1770	WIRE-LEAD,BATTERY(+)	1	
26011C	26011-1771	WIRE-LEAD,BATTERY(-)	1	
26012	26012-1368	BATTERY,MF,FTH16-BS,12V 14AH	1	
26021	26021-1089	JUNCTION BOX	1	
26030	26030-1450	HARNESS,SUB	1	
26030B	26030-1797	HARNESS,MAIN	1	
27002A	27002-1111	RELAY-ASSY,SIGNAL LAMP	1	
27003	27003-1406	HORN	1	
49016	49016-1177	COVER-SEAL,FUSE	1	
92037	92037-1539	CLAMP,L=45	1	
92037A	92037-1780	CLAMP	2	
92072	92072-1195	BAND,L=202	8	
92075	92075-1688	DAMPER,JUNCTION BOX	1	
92170	92170-1699	CLAMP,IGNITION SWITCH	1	
92170A	92170-1700	CLAMP,RR BRAKE SWITCH	1	
26011C	26011-1771	WIRE-LEAD,BATTERY(-)	1	
26012	26012-1368	BATTERY,MF,FTH16-BS,12V 14AH	1	
26021	26021-1089	JUNCTION BOX	1	
26030	26030-1450	HARNESS,SUB	1	
26030B	26030-1797	HARNESS,MAIN	1	
27002A	27002-1111	RELAY-ASSY,SIGNAL LAMP	1	
27003	27003-1406	HORN	1	
49016	49016-1177	COVER-SEAL,FUSE	1	
92037	92037-1539	CLAMP,L=45	1	
92037A	92037-1780	CLAMP	2	
92072	92072-1195	BAND,L=202	8	
92075	92075-1688	DAMPER,JUNCTION BOX	1	
92170	92170-1699	CLAMP,IGNITION SWITCH	1	
92170A	92170-1700	CLAMP,RR BRAKE SWITCH	1	

CLUTCH

67

Ref #	Part #	Description	Qty	Spec Code
13048	13048-1087	CAM-DAMPER	1	
13087	13087-1103	HUB-CLUTCH,OUTER	1	
13087A	13087-1110	HUB-CLUTCH,INNER	1	
13088	13088-1018	PLATE-FRICTION	8	
13089	13089-1075	PLATE-CLUTCH,T=2.0	AR	
13089A	13089-1080	PLATE-CLUTCH,T=1.6	AR	
13089B	13089-1081	PLATE-CLUTCH,T=2.3	AR	
13091	13091-1494	HOLDER,CLUTCH SPRING	1	
13091A	13091-1495	HOLDER,DAMPER SPRING	1	
13091B	13091-1496	HOLDER,DAMPER SPRING	1	
13095	13095-1342	HOUSING-COMP-CLUTCH	1	
13107	13107-1237	SHAFT,CLUTCH CAM DAMPER	1	
13116	13116-1102	ROD-PUSH,CLUTCH	1	
13116A	13116-1132	ROD-PUSH	1	
13187	13187-1063	PLATE-CLUTCH OPERATING	1	
13187A	13187-1066	PLATE-CLUTCH OPERATING	1	
13231	13231-1071	RELEASE-ASSY-CLUTCH	1	
13256	13256-1052	PISTON	1	
43056	43056-1055	BREATHER	1	
43057	43057-1001	CAP-BREATHER	1	
92002	92002-1612	BOLT,6X25	3	
92015	92015-1461	NUT,20MM	1	
92022	92022-1463	WASHER,15.1X29X1.0	1	
92022A	92022-1857	WASHER,25.3X56X2.0	2	
92026	92026-1043	SPACER,59X70X3.5	1	
92026A	92026-1263	SPACER,CLUTCH RELEASE	1	
92033	92033-1238	RING-SNAP	1	
92033A	92033-1239	RING-SNAP	1	
92037	92037-1539	CLAMP,L=45	1	
92046	92046-1052	BEARING-NEEDLE,AXK1102	1	
92046A	92046-1175	BEARING-NEEDLE	1	
92049	92049-1165	SEAL-OIL,PISTON	1	
92081	92081-1644	SPRING,CLUTCH RELEASE	1	
92143	92143-1076	COLLAR,INPUT SHAFT	1	
92144	92144-1188	SPRING,LIMITER	3	
92144A	92144-1934	SPRING,CLUTCH	1	
92145	92145-1243	SPRING	10	

CLUTCH MASTER CYLINDER

Ref #	Part #	Description	Qty	Spec Code
13116	13116-1110	ROD-PUSH,MASTER CYLINDER	1	
13236A	13236-1316	LEVER-COMP,CLUTCH	1	
27010	27010-1406	SWITCH,CLUTCH	1	
43015	43015-1621	CYLINDER-ASSY-MASTER,CLUTCH	1	
43020	43020-1055	PISTON-COMP-BRAKE,CLUTCH	1	
43026	43026-1083	CAP-BRAKE	1	
43028	43028-1071	DIAPHRAGM,MASTER CYLINDER	1	
43034	43034-1147	HOLDER-BRAKE	1	
43067	43067-001	WASHER,10.5X15X1.5	4	
43095A	43095-1280	HOSE-BRAKE,CLUTCH	1	

CLUTCH MASTER CYLINDER

49016	49016-1044	COVER-SEAL,MASTER CYLINDER	1	
92002	92002-1325	SCREW,4X16	1	
92002A	92002-1561	BOLT,LEVER SET	1	
92002B	92002-1888	BOLT,OIL,L=23	2	
92009	92009-1440	SCREW,5MM	2	
92015	92015-1528	NUT,FLANGED,6MM	1	
92022	92022-1605	CIRCLIP	1	
92022A	92022-1606	WASHER,PISTON	1	
92028	92028-1310	BUSHING,MASTER CYLINDER	1	
92066	92066-1301	PLUG	2	
92150	92150-1025	BOLT,SOCKET,6MM	2	
92170	92170-1703	CLAMP,HOSE	2	

CRANKCASE (VN1500-E5/E6)

Ref #	Part #	Description	Qty	Spec Code
13070	13070-1168	GUIDE,CAM CHAIN	2	
13070A	13070-1372	GUIDE	1	
13169	13169-014	PLATE,GEAR CHANGE DRUM	1	
13271	13271-1448	PLATE	1	
13271A	13271-1727	PLATE	1	
14001	14001-5383	SET-CRANKCASE	1	
14014	14014-1084	PLATE-POSITION	3	
16165	16165-1058	SEPARATOR	1	
32033	32033-1535	PIPE,OIL FILTER	1	
32153	32153-1262	PIPE	1	
32153A	32153-1263	PIPE	1	
49063	49063-1057	SEAL-MECHANICAL	1	
92002	92002-1439	BOLT,6X16	4	
92004	92004-1174	STUD,8X231	4	
92004A	92004-1225	STUD,12X250	7	
92004B	92004-1240	STUD,12X250	1	
92005	92005-1155	FITTING	1	
92022	92022-1517	WASHER,6X19.5X2	2	
92037	92037-1835	CLAMP	1	
92043	92043-1266	PIN,11X14X12.3	2	
92045	92045-1151	BEARING-BALL,6001JRXLU/5K	1	
92045A	92045-1189	BEARING-BALL,63/28	2	
92045B	92045-1190	BEARING-BALL,6306SH2	2	
92046	92046-1292	BEARING-NEEDLE	3	
92048	92048-1103	RACE	1	
92048A	92048-1113	RACE	1	
92049	92049-1228	SEAL-OIL,AC037AE0	1	
92055	92055-1373	RING-O,13.2X2.4	1	
92062	92062-1078	NOZZLE,6X8,GREEN	3	
92062A	92062-1089	NOZZLE	1	
92065	92065-097	GASKET,12X22X2	1	
92066	92066-1012	PLUG,OIL LINE,7.2X8	1	
92066A	92066-1110	PLUG	1	
92066B	92066-1174	PLUG,OIL DRAIN,12X15	1	
92071	92071-1269	GROMMET,SEPARATOR	1	
92150	92150-1161	BOLT	1	

92150A	92150-1868	BOLT,6X12	15	
92150B	92150-1993	BOLT,10X105	2	
92150C	92150-1994	BOLT,10X115	1	
92151	92151-1416	BOLT,6X8	1	
172	172G0825	BOLT-STUD,8X25	4	
601	601A6001	BEARING-BALL	1	
702	702A04330	TUBE-RUBBER,4X330	1	
92171	92171-1273	CLAMP	1	

CRANKCASE BOLT PATTERN

Ref #	Part #	Description	Qty	Spec Code
92002	92002-1566	BOLT,6X40	5	
92002A	92002-1568	BOLT,6X80	3	
92150	92150-1995	BOLT,6X70	6	
92150A	92150-1996	BOLT,8X90	6	

CRANKSHAFT

Ref #	Part #	Description	Qty	Spec Code
12046	12046-1103	SPROCKET, WATER PUMP	1	
13031	13031-1413	CRANKSHAFT-COMP	1	
13041	13041-1089	BALANCER,RH	1	
13041A	13041-1093	BALANCER,LH	1	
13097	13097-1369	GEAR-PRIMARY SPUR,56T	1	
13107	13107-1352	SHAFT,BALANCER	1	
13251	13251-1080-EE	ROD-ASSY-CONNECTING,E	2	
13251A	13251-1080-JJ	ROD-ASSY-CONNECTING,J	2	
16085	16085-1286	GEAR,BALANCER	1	
16085A	16085-1307	GEAR,BALANCER,46T	1	
92001	92001-1146	BOLT,FLANGED,12X40	1	
92002	92002-1296	BOLT,FLANGED,10X40	2	
92002A	92002-1896	BOLT,CONNECTING ROD	4	
92015	92015-1643	NUT,CONNECTING ROD	4	
92022	92022-1904	WASHER,GENERATOR	1	
92022A	92022-1905	WASHER,LH,10X40X9	1	
92022B	92022-1906	WASHER,10X33X9	1	
92028	92028-1474	BUSHING,CONNECTING ROD,BLUE	AR	
92028A	92028-1475	BUSHING,CONNECTING ROD,BLACK	AR	
92028B	92028-1476	BUSHING,CONNECTING ROD,BROWN	AR	
92143	92143-1093	COLLAR,20X30X24	1	
92143A	92143-1821	COLLAR,20X31X16	1	
92160	92160-1725	DAMPER	4	
92160A	92160-1726	DAMPER	4	

CYLINDER HEAD

70

Ref #	Part #	Description	Qty	Spec Code
120	120Z0620	BOLT-SOCKET	4	
671	671E2540	O RING	2	
11004	11004-1334	GASKET-HEAD	2	
11008	11008-1338	HEAD-COMP-CYLINDER,FR	1	
11008A	11008-1339	HEAD-COMP-CYLINDER,RR	1	
49002	49002-1088	GUIDE-VALVE	AR	
59076	59076-1105	MANIFOLD-INTAKE	1	
92004	92004-1214	STUD,8X25	8	
92004A	92004-1224	STUD,8X46.5	4	
92015	92015-1406	NUT,FLANGED,8MM	8	
92015A	92015-1991	NUT,12MM	8	
92022	92022-1862	WASHER,12.3X25X3.2	8	
92043	92043-1608	PIN,13X16X14	8	
92066	92066-1253	PLUG,PT1/2X12.5	4	
92066A	92066-1442	PLUG	2	
92151	92151-1058	BOLT,6X115	4	
92170	92170-1644	CLAMP	1	

CYLINDER HEAD COVER

Ref #	Part #	Description	Qty	Spec Code
11012	11012-1953	CAP,REED VALVE	2	
11060	11060-1733	GASKET,REED VALVE CAP	4	
11060A	11060-1917	GASKET,ROCKER CASE COVER	2	
12021	12021-1108	VALVE-ASSY-REED	2	
14043	14043-1056	FILTER,OIL	4	
14091	14091-1167	COVER,ROCKER CASE	2	
92005	92005-1006	FITTING,REED VALVE	2	
92043	92043-1262	PIN,4.2X6X12	4	
92055	92055-049	RING-O,31.7X2.4	2	
92055A	92055-1272	RING-O,27.7X1.9	2	
92066	92066-1445	PLUG,SLEEVE	2	
92075	92075-1998	DAMPER	2	
92081	92081-1776	SPRING,OIL FILTER	4	
92151	92151-1059	BOLT,6X45	4	
92151A	92151-1252	BOLT,6X20	24	
92160	92160-1698	DAMPER	2	
92160A	92160-1699	DAMPER	2	
92160B	92160-1711	DAMPER	2	

CYLINDER/PISTON(S)

Ref #	Part #	Description	Qty	Spec Code
11005	11005-1863	CYLINDER-ENGINE,FR	1	
11005A	11005-1865	CYLINDER-ENGINE,RR	1	
11007	11007-1097	LINER-CYLINDER	2	
11061	11061-1083	GASKET,CYLINDER BASE,FR	1	
11061A	11061-1084	GASKET,CYLINDER BASE,RR	1	
13001	13001-1542	PISTON-ENGINE,STD	2	
13002	13002-1107	PIN-PISTON	2	

CYLINDER/PISTON(S)

13008	13008-1172	RING-SET-PISTON,STD	2	
13025	13025-1081	RING-SET-PISTON L,O/S 0.50	AR	
13029	13029-1233	PISTON-ENGINE L,O/S 0.50	AR	
92002	92002-1569	BOLT,6X12	2	
92015	92015-1370	NUT,CAP,8MM	8	
92022	92022-077	WASHER,6.1X12X1	2	
92033	92033-1226	RING-SNAP	4	
92043	92043-1608	PIN,13X16X14	4	
92055	92055-1371	RING-O,110.5X2.5	4	

DECALS (RED)(VN1500-E6)

Ref #	Part #	Description	Qty	Spec Code
56051	56051-1455	MARK,FUEL TANK,LH	1	
56051A	56051-1456	MARK,FUEL TANK,RH	1	
56052	56052-1384	MARK,SIDE COVER,KLEEN	1	[CA]
56052A	56052-1533	MARK,SIDE COVER,KAWASAKI	2	
56052B	56052-1545	MARK,AIR CLEANER COVER,RH,1500	1	
56061	56061-1788	PATTERN,FR FENDER,LH	1	
56061A	56061-1789	PATTERN,FR FENDER,RH	1	
56061B	56061-1790	PATTERN,RR FENDER,LH	1	
56061C	56061-1791	PATTERN,RR FENDER,RH	1	

DECALS (RED/GRAY)(VN1500-E6)

Ref #	Part #	Description	Qty	Spec Code
56051	56051-1455	MARK,FUEL TANK,LH	1	
56051A	56051-1456	MARK,FUEL TANK,RH	1	
56052	56052-1384	MARK,SIDE COVER,KLEEN	1	[CA]
56052A	56052-1533	MARK,SIDE COVER,KAWASAKI	2	
56052B	56052-1545	MARK,AIR CLEANER COVER,RH,1500	1	
56062	56062-1289	PATTERN,FUEL TANK,LH	1	
56062A	56062-1290	PATTERN,FUEL TANK,RH	1	
56062B	56062-1291	PATTERN,FR FENDER,LH	1	
56062C	56062-1292	PATTERN,FR FENDER,RH	1	
56062D	56062-1293	PATTERN,RR FENDER,LH	1	
56062E	56062-1294	PATTERN,RR FENDER,RH	1	

DRIVE SHAFT/FINAL GEAR

Ref #	Part #	Description	Qty	Spec Code
11021	11021-1134	CASE-ASSY,FINAL GEAR	1	
11061	11061-1088	GASKET,RR,SWINGARM	1	
13101	13101-1322	GEAR-ASSY,FINAL	1	
13101A	13101-5086	GEAR-ASSY,BEVEL,RR	1	
13271	13271-1733	PLATE	1	
16115	16115-1056	CAP-OIL FILLER	1	
39130	39130-1002	SPRING-LEAF	1	
39158	39158-1062	SHAFT-ASSY-DRIVE	1	
41046	41046-1103	HOUSING-BEARING	1	
42034	42034-1079	COUPLING	1	

DRIVE SHAFT/FINAL GEAR

42034A	42034-1178	COUPLING,PROPELLER SHAFT,OUTER	1	
49006	49006-1226	BOOT,PROPELLER SHAFT	1	
92001	92001-1778	BOLT,FLANGED,10X23	1	
92004	92004-1047	STUD,RR SHOCKABSORBER	1	
92015	92015-1059	NUT,16MM	1	
92015A	92015-1649	NUT,10MM	4	
92022	92022-1086	WASHER,8.2X16X1	1	
92022A	92022-1105	WASHER,16X32X3.2	1	
92025	92025-1214	SHIM,T=1.30	AR	
92025A	92025-1215	SHIM,T=1.32	AR	
92025B	92025-1216	SHIM,T=1.34	AR	
92025C	92025-1217	SHIM,T=1.36	AR	
92025D	92025-1218	SHIM,T=1.38	AR	
92025E	92025-1219	SHIM,T=0.10	AR	
92025F	92025-1220	SHIM,T=0.20	AR	
92025G	92025-1221	SHIM,T=0.30	AR	
92025H	92025-1222	SHIM,T=0.50	AR	
92025I	92025-1223	SHIM,T=0.60	AR	
92025J	92025-1224	SHIM,T=0.70	AR	
92025K	92025-1225	SHIM,T=0.80	AR	
92025L	92025-1226	SHIM,T=0.90	AR	
92025M	92025-1227	SHIM,T=1.00	AR	
92025N	92025-1783	SHIM,T=0.15	AR	
92025O	92025-1784	SHIM,T=0.50	AR	
92025P	92025-1785	SHIM,T=0.60	AR	
92025Q	92025-1786	SHIM,T=0.70	AR	
92025R	92025-1787	SHIM,T=0.80	AR	
92025S	92025-1788	SHIM,T=0.90	AR	
92025T	92025-1789	SHIM,T=1.00	AR	
92025U	92025-1790	SHIM,T=1.20	AR	
130	130N0812	BOLT-FLANGED	1	
130A	130Y0825	BOLT-FLANGED	7	
175	175G1035	BOLT-STUD-FINE,10X35	4	
480	480J2600	CIRCLIP-TYPE-C,26MM	1	
610	610A0406	ROLLER,4X6	1	
92026	92026-1085	SPACER,PROPELLER SHAFT	1	
92033	92033-1074	RING-SNAP,52MM	1	
92046	92046-1168	BEARING-NEEDLE,RNA4904RD	1	
92046A	92046-1169	BEARING-NEEDLE,38NQ5020WD	1	
92049	92049-1025	SEAL-OIL,S-35477HS	1	
92049A	92049-1033	SEAL-OIL,SC32487	1	
92049B	92049-1280	SEAL-OIL	1	
92055	92055-049	RING-O,31.7X2.4	1	
92055A	92055-1038	RING-O,ID=57.6	1	
92055B	92055-1165	RING-O,154MM	1	
92055C	92055-1646	RING-O	2	
92066	92066-1110	PLUG	1	
92081	92081-1183	SPRING,PROPELLER SHAFT	1	
92116	92116-1004	BEARING-ROLLER,4T32005X	1	
92145	92145-1162	SPRING,BOOT	1	
92150	92150-1806	BOLT,SOCKET,5X10	1	
92180	92180-1365	SHIM,T=0.15	AR	

92180A	92180-1366	SHIM,T=0.50	AR	
92180B	92180-1367	SHIM,T=0.60	AR	
92180C	92180-1368	SHIM,T=0.70	AR	
92180D	92180-1369	SHIM,T=0.80	AR	
92180E	92180-1370	SHIM,T=0.90	AR	
92180F	92180-1371	SHIM,T=1.00	AR	
92180G	92180-1372	SHIM,T=1.20	AR	

ENGINE MOUNT

Ref #	Part #	Description	Qty	Spec Code
130	130J0825	BOLT-FLANGED,8X25,BLACK	3	
130A	130J0840	BOLT-FLANGED,8X40	4	
130B	130J0860	BOLT-FLANGED	1	
32029	32029-1985	BRACKET-ENGINE,FR	1	
32029A	32029-1986	BRACKET-ENGINE,RR,LH	1	
32029B	32029-1987	BRACKET-ENGINE,RR,RH	1	
92002	92002-1206	BOLT,FLANGED,10X285	1	
92002A	92002-1540	BOLT,FLANGED,10X330	1	
92015	92015-1180	NUT,FLANGED,10MM	2	
92075	92075-1738	DAMPER,ENGINE BRACKET	4	
92075A	92075-1739	DAMPER,ENGINE MOUNT,MAIN	4	

FENDERS (VN1500-E5/E6)

Ref #	Part #	Description	Qty	Spec Code
35004F	35004-5168-ED	FENDER-FRONT,C.S.RED	1	
35004I	35004-5230-C3	FENDER-FRONT,RED/GRAY	1	
35022F	35022-5025-ED	FENDER-COMP-REAR,C.S.RED	1	
35022I	35022-5126-C3	FENDER-COMP-REAR,RED/GRAY	1	
130	130J0814	BOLT-FLANGED,8X14	4	
130A	130J0816	BOLT-FLANGED,8X16,BLACK	2	
92002	92002-1442	BOLT,SOCKET,8X25	2	
92071	92071-019	GROMMET,10MM	1	
92071A	92071-099	GROMMET,13MM	3	

FOOTRESTS

Ref #	Part #	Description	Qty	Spec Code
130A	130J1030	BOLT-FLANGED,10X30	4	
132	132J0510	BOLT-FLANGED-SMALL	4	
482	482L7000	CIRCLIP-TYPE-E	2	
34003	34003-1292	HOLDER-STEP,RR	2	
34003A	34003-1449	HOLDER-STEP,FR,RH	1	
34003B	34003-1481	HOLDER-STEP,FR,LH	1	
34028	34028-1219	STEP,RR,LH	1	
34028A	34028-1220	STEP,RR,RH	1	
34028B	34028-1221	STEP,RR,RUBBER	2	
34028D	34028-1497	STEP,FR	2	
35011	35011-1770	STAY,REAR STEP,LH	1	

FOOTRESTS

35011A	35011-1922	STAY,REAR STEP,RH	1	
92001	92001-1905	BOLT,BANK SENSOR	4	
92015	92015-1428	NUT,FLANGED,10MM	2	
92022A	92022-1568	WASHER,20X30X2.3	2	
92022B	92022-1874	WASHER,STEP	2	
92033	92033-1166	RING-SNAP,10MM	4	
92043	92043-1339	PIN,8X36.5	2	
92043A	92043-1358	PIN,12X37	4	
92144	92144-1266	SPRING,BRAKE PEDAL RETURN	2	
92151	92151-1525	BOLT,SOCKET,8X25	4	
92161	92161-1154	DAMPER,FRONT STEP	2	

FRAME

Ref #	Part #	Description	Qty	Spec Code
31064B	31064-1237	PIPE-COMP,DOWNTUBU,RH	1	
32160	32160-1577	FRAME-COMP	1	
46098	46098-017	CAP,STEERING STEM	1	
92015	92015-1377	NUT,25MM,T=10	1	
92015A	92015-1378	NUT,25MM,T=6	1	
92015B	92015-1727	NUT,FLANGED,10MM	2	
92047	92047-017	RACE,ROLLER,32005JR RS	1	
92049	92049-1162	SEAL-OIL,XMHE36X52X4J	1	
92066	92066-1444	PLUG	2	
92116	92116-1009	BEARING-ROLLER,HR320/28XJ	1	
92150	92150-1672	BOLT,14X25	1	
92150A	92150-1690	BOLT,SOCKET,10X30	2	
92150B	92150-1942	BOLT,SOCKET,10X23	2	
92200	92200-1140	WASHER	1	

FRAME FITTINGS

Ref #	Part #	Description	Qty	Spec Code
130	130H0612	BOLT-FLANGED,6X12	2	
130A	130J0610	BOLT-FLANGED	1	
130B	130J0612	BOLT-FLANGED	2	
130C	130J0616	BOLT-FLANGED,6X16,BLACK	2	
132	132E0845	BOLT-FLANGED-SMALL,8X45	6	
132A	132J0612	BOLT-FLANGED-SMALL	6	
11012	11012-1956	CAP,TOOL CASE	1	
11049	11049-1599	BRACKET,FUEL PUMP	1	
11049A	11049-1600	BRACKET,LOCK	1	
11049B	11049-1607	BRACKET,REGULATOR	1	
11049C	11049-1624	BRACKET,HELMET LOCK,LH	1	
11049D	11049-1625	BRACKET,HELMET LOCK,RH	1	
11050	11050-1694	BRACKET,REGULATOR	1	
14090	14090-1940	COVER,REGULATOR	1	
27012	27012-1524	HOOK,BUNGEE CORD	2	
32097	32097-1161	CASE-BATTERY	1	
32098	32098-1109	CASE-TOOL	1	[CN,US]
32098A	32098-1124	CASE-TOOL	1	[CA]
35011	35011-1868	STAY,REAR FENDER,LH	1	

FRAME FITTINGS

35011A	35011-1869	STAY,REAR FENDER,RH	1	
42036	42036-1330	SLEEVE,L=45	2	
92009	92009-1635	SCREW,TAPPING,5X14	2	
92046	92046-1202	BEARING-NEEDLE,BM2824	2	
92049	92049-1181	SEAL-OIL	2	
92071	92071-056	GROMMET	1	
92071A	92071-1187	GROMMET	1	
92072	92072-1331	BAND,L=470	1	[CN,US]
92072A	92072-1384	BAND	1	
92075	92075-1629	DAMPER	1	
92075A	92075-1864	DAMPER,BATTERY	1	
92143	92143-1878	COLLAR,20.2X27X90	1	
92150	92150-1133	BOLT,6X14	3	
92150A	92150-1198	BOLT,6X16	4	
92160	92160-1779	DAMPER	1	

FRONT BEVEL GEAR

Ref #	Part #	Description	Qty	Spec Code
11009	11009-1344	GASKET,8.2X14X1.0	3	
11012	11012-1071	CAP	1	
11060	11060-1829	GASKET,BEVEL GEAR CASE	1	
11060A	11060-1872	GASKET,OIL PIPE,8.2X25X1.0	1	
13048	13048-1085	CAM-DAMPER	1	
13101	13101-1308	GEAR-ASSY	1	
13101A	13101-5085	GEAR-ASSY,BEVEL,FR	1	
13107	13107-1380	SHAFT,BEVEL,FR	1	
13151	13151-1010	SWITCH-COMP	1	
14014	14014-1136	PLATE-POSITION	1	
14055	14055-1143	CASE-GEAR,FRONT BEVEL	1	
39193	39193-1026	PIPE-OIL	1	
41046	41046-1099	HOUSING-BEARING	1	
42034	42034-1091	COUPLING,FR DRIVEN	1	
43064	43064-006	GROMMET,HOSE CLAMP	1	
49006	49006-1040	BOOT,DUST	1	
51036	51036-1002	CUP	1	
92001	92001-1169	BOLT,FLANGED,12X42	1	
92002	92002-1429	BOLT,8X20	2	
92015	92015-1554	NUT,24MM	1	
92022	92022-1028	WASHER,8.5X13X1	4	
92022A	92022-1211	WASHER	1	
92025	92025-1072	SHIM,25.2X29.8X1.70	AR	
92025A	92025-1073	SHIM,25.2X29.8X1.72	AR	
92025B	92025-1074	SHIM,25.2X29.8X1.74	AR	
92025C	92025-1075	SHIM,25.2X29.8X1.76	AR	
92025D	92025-1076	SHIM,25.2X29.8X1.78	AR	
92025E	92025-1077	SHIM,25.2X29.8X1.80	AR	
92025F	92025-1688	SHIM,25.3X36X0.15	AR	
92025G	92025-1689	SHIM,25.3X36X0.50	AR	
92025H	92025-1690	SHIM,25.3X36X0.60	AR	
92025I	92025-1691	SHIM,25.3X36X0.70	AR	

FRONT BEVEL GEAR

92025J	92025-1692	SHIM,25.3X36X0.80	AR	
92025K	92025-1693	SHIM,25.3X36X0.90	AR	
92025L	92025-1694	SHIM,25.3X36X1.00	AR	
92025M	92025-1695	SHIM,25.3X36X1.10	AR	
92025N	92025-1696	SHIM,25.3X36X1.20	AR	
92025O	92025-1818	SHIM,T=0.15	AR	
92025P	92025-1819	SHIM,T=0.50	AR	
92025Q	92025-1820	SHIM,T=0.60	AR	
120	120S0830	BOLT-SOCKET,8X30,BLACK	4	
130	130S0630	BOLT-FLANGED	2	
130A	130S0640	BOLT-FLANGED	4	
132	132G0616	BOLT-FLANGED-SMALL	2	
671	671B2565	O RING,65MM	1	
92025R	92025-1821	SHIM,T=0.70	AR	
92025S	92025-1822	SHIM,T=0.80	AR	
92025T	92025-1823	SHIM,T=0.90	AR	
92025U	92025-1824	SHIM,T=1.00	AR	
92025V	92025-1825	SHIM,T=1.20	AR	
92025W	92025-1826	SHIM,T=0.10	AR	
92027	92027-1152	COLLAR,25.2X29.8X22.8	AR	
92027A	92027-1153	COLLAR,25.2X29.8X22.9	AR	
92027B	92027-1154	COLLAR,25.2X29.8X23	AR	
92027C	92027-1155	COLLAR,25.2X29.8X23.1	AR	
92027D	92027-1156	COLLAR,25.2X29.8X23.2	AR	
92027E	92027-1157	COLLAR,25.2X29.8X23.3	AR	
92027F	92027-1158	COLLAR,25.2X29.8X23.4	AR	
92027G	92027-1159	COLLAR,25.2X29.8X23.5	AR	
92027H	92027-1160	COLLAR,25.2X29.8X23.6	AR	
92027I	92027-1161	COLLAR,25.2X29.8X23.7	AR	
92027J	92027-1162	COLLAR,25.2X29.8X23.8	AR	
92027K	92027-1163	COLLAR,25.2X29.8X23.9	AR	
92027L	92027-1164	COLLAR,25.2X29.8X24	AR	
92027M	92027-1165	COLLAR,25.2X29.8X24.1	AR	
92037	92037-1069	CLAMP,L=60	1	
92043	92043-1279	PIN,11.5X14X14	2	
92045	92045-1165	BEARING-BALL,6305C2	1	
92049	92049-1017	SEAL-OIL,SD-8187	1	
92049A	92049-1038	SEAL-OIL,TC35527	1	
92049B	92049-1519	SEAL-OIL,TC13225.5	1	
92055	92055-1044	RING-O,ID=18.64	1	
92062	92062-1078	NOZZLE,6X8,GREEN	1	
92062A	92062-1083	NOZZLE,10X10,SILVER	1	
92116	92116-1062	BEARING-ROLLER,HI-CAP30205	1	
92145	92145-1102	SPRING,CAM DAMPER	1	
92151	92151-1444	BOLT,8X95	2	
92151A	92151-1445	BOLT,8X80	3	
92170	92170-1732	CLAMP	1	

FRONT BRAKE

77

Ref #	Part #	Description	Qty	Spec Code
41080A	41080-1494-CM	DISC,FR,SILVER	1	
43041B	43041-1892-GN	CALIPER-ASSY,FR,LH,SILVER	1	
43044	43044-1117	HOLDER-COMP-CALIPER,FR,LH	1	
43048	43048-1073	PISTON-CALIPER	2	
43049	43049-1068	PACKING	2	
43049A	43049-1092	PACKING,PISTON SEAL	2	
43056	43056-1054	BREATHER-BRAKE	1	
43057	43057-003	CAP-BREATHER	1	
43082A	43082-1234	PAD-ASSY-BRAKE	1	
43084	43084-003	CLAMP,PAD	1	
49006	49006-1054	BOOT,CALIPER	1	
49006A	49006-1095	BOOT,CALIPER	1	
92043	92043-1489	PIN,PAD	1	
92144	92144-1831	SPRING,STOPPER	1	
92144A	92144-1832	SPRING,PAD,LH	1	
92150	92150-1771	BOLT,SOCKET,8X30	7	
92151	92151-1321	BOLT,FLANGED,10X47	2	

FRONT FORK

Ref #	Part #	Description	Qty	Spec Code
130	130J0516	BOLT-FLANGED	2	
11012	11012-1618	CAP,FORK TOP	2	
43064	43064-006	GROMMET,HOSE CLAMP	1	
44005	44005-1366	PIPE-LEFT FORK OUTER	1	
44006	44006-1365	PIPE-RIGHT FORK OUTER	1	
44013	44013-1462	PIPE-FORK INNER	2	
44023	44023-1133	CYLINDER-SET-FORK	2	
44026	44026-1693	SPRING-FRONT FORK	2	
44029	44029-1125	SEAT-FORK SPRING	2	
44033	44033-1215	COVER-FORK,UPP,LH	1	
44033A	44033-1216	COVER-FORK,UPP,RH	1	
44033B	44033-1221	COVER-FORK,UNDER,LH	1	
44033C	44033-1222	COVER-FORK,UNDER,RH	1	
44033D	44033-1223	COVER-FORK	2	
44033E	44033-1235	COVER-FORK,LWR	1	
44037	44037-1344	HOLDER-FORK UNDER	1	
44039	44039-1260	HOLDER-FORK UPPER	1	
44045	44045-051	GASKET,FORK CYLINDER BOLT	2	
44065	44065-1079	BUSHING-FRONT FORK	2	
44065A	44065-1087	BUSHING-FRONT FORK,INNER PIPE	2	
44075	44075-1095	DAMPER-SET-FORK	1	
92015	92015-1385	NUT,CAP,6MM	2	
92015A	92015-1757	NUT,WELL,5MM	2	
92026	92026-1276	SPACER,FORK OUTER	2	
92027	92027-1847	COLLAR,L=16.1	2	
92033	92033-1222	RING-SNAP	2	
92033A	92033-1223	RING-SNAP,SPRING SEAT	2	
92049	92049-1363	SEAL-OIL,FORK	2	
92055	92055-1363	RING-O,SPRING SEAT	2	
92075	92075-1035	DAMPER	2	

FRONT FORK

92093	92093-1268	SEAL,FORK	2	
92150	92150-1029	BOLT,SOCKET,10X40	1	
92150A	92150-1031	BOLT,SOCKET,8X30	2	
92150B	92150-1432	BOLT,SOCKET,8X18	2	
92151	92151-1068	BOLT,SOCKET,6X14	4	
92151A	92151-1083	BOLT,SOCKET,10X25	2	
92151B	92151-1097	BOLT,SOCKET,5X10	2	
92160	92160-1555	DAMPER	2	
92170	92170-1655	CLAMP,CABLE	1	
92170A	92170-1658	CLAMP,CABLE	1	
132	132E0630	BOLT-FLANGED-SMALL	2	

FRONT MASTER CYLINDER

Ref #	Part #	Description	Qty	Spec Code
13236A	13236-1315	LEVER-COMP,FRONT BRAKE	1	
27010	27010-1170	SWITCH,BRAKE	1	
43015A	43015-1656	CYLINDER-ASSY-MASTER,FR	1	
43020	43020-1056	PISTON-COMP-BRAKE,FR	1	
43022	43022-1010	STOPPER-BRAKE,PISTON	1	
43026	43026-1083	CAP-BRAKE	1	
43028	43028-1071	DIAPHRAGM,MASTER CYLINDER	1	
43034	43034-1147	HOLDER-BRAKE	1	
43064	43064-006	GROMMET,HOSE CLAMP	1	
43067	43067-001	WASHER,10.5X15X1.5	4	
43095	43095-1189	HOSE-BRAKE,FR	1	
49016	49016-1044	COVER-SEAL,MASTER CYLINDER	1	
92002	92002-1323	BOLT,SCREW,4X12	1	
92002A	92002-1561	BOLT,LEVER SET	1	
92002B	92002-1888	BOLT,OIL,L=23	2	
92009	92009-1440	SCREW,5MM	2	
92015	92015-1528	NUT,FLANGED,6MM	1	
92066	92066-1301	PLUG	2	
92150	92150-1025	BOLT,SOCKET,6MM	2	
92170	92170-1651	CLAMP,HOSE	1	

FRONT WHEEL

Ref #	Part #	Description	Qty	Spec Code
601	601B6004UU	BEARING-BALL,#6004UUC3	2	
41034	41034-1259	DRUM-ASSY,FRONT BRAKE	1	
41060	41060-1160	GEAR-METER SCREW,25T	1	
41060A	41060-1161	GEAR-METER SCREW,9T	1	
41063	41063-001	WASHER,5.1X9X0.4	2	
41064	41064-1056	RECEIVER-SPEEDOMETER	1	
41068	41068-1378	AXLE,FR	1	
41078A	41078-1107	CASE-ASSY-METER GEAR	1	
41082	41082-001	PIN,SPRING	1	
92015	92015-1993	NUT,FLANGED,18MM	1	
92027	92027-1752	COLLAR,20.2X28X70	1	
92033	92033-1041	RING-SNAP,42MM	2	

92049	92049-1057	SEAL-OIL,BJN30427-C3	2	
92087	92087-1056	BUSHING-METER GEAR	1	
92143	92143-1837	COLLAR,FR AXLE,LH,L=48.5	1	

FUEL EVAPORATIVE SYSTEM (CA)

Ref #	Part #	Description	Qty	Spec Code
14073	14073-1219	DUCT,CANISTER	1	[CA]
16164	16164-1070	CANISTER	1	[CA]
16165	16165-1001	SEPARATOR	1	[CA]
92005	92005-1017	FITTING,TUBE,T-TYPE	1	[CA]
92037	92037-010	CLAMP,TUBE	6	[CA]
92037A	92037-1104	CLAMP,HOSE	3	[CA]
92037B	92037-1712	CLAMP	4	[CA]
92059	92059-1193	TUBE,4X9X50	1	[CA]
92059A	92059-1398	TUBE,7X12X740,GREEN	1	[CA]
92072	92072-1188	BAND,L=150	1	[CA]
92072A	92072-1419	BAND,L=50	1	[CA]
92191	92191-1062	TUBE,WHITE	1	[CA]
92191A	92191-1070	TUBE,5X8X232,BLUE	1	[CA]
92191B	92191-1120	TUBE,TANK-SEPARATOR,RED	1	[CA]
92191C	92191-1121	TUBE,TANK-SEPARATOR,BLUE	1	[CA]
92191D	92191-1267	TUBE,L=520,YELLOW	1	[CA]

FUEL PUMP

Ref #	Part #	Description	Qty	Spec Code
13091	13091-1512	HOLDER	1	
49019	49019-1055	FILTER-FUEL	1	
49040	49040-1063	PUMP-FUEL	1	
92037	92037-1505	CLAMP,TUBE	2	
92075	92075-1853	DAMPER,FUEL FILTER	1	
92170	92170-1492	CLAMP	3	
92191	92191-1055	TUBE,FUEL TAP-FILTER	1	
92191A	92191-1058	TUBE,FILTER-PUMP	1	

FUEL TANK (VN1500-E5/E6)

Ref #	Part #	Description	Qty	Spec Code
11009	11009-1656	GASKET,FUEL GAUGE	1	
14090	14090-1624	COVER,FUEL GAUGE	1	
14090A	14090-1674	COVER,METER	1	
43049	43049-1066	PACKING,TAP VALVE	1	
51001	51001-1549-ED	TANK-COMP-FUEL,C.S.RED	1	[CN,US]
51001A	51001-1558-ED	TANK-COMP-FUEL,C.S.RED	1	[CA]
51023	51023-1226	TAP-ASSY,FUEL	1	
51049	51049-1132	CAP-TANK,FUEL	1	
51082D	51082-5318-C3	TANK-COMP-FUEL,RED/GRAY	1	[CN,US]
51082E	51082-5320-C3	TANK-COMP-FUEL,RED/GRAY	1	[CA]
130	130H0830	BOLT-FLANGED,8X30	2	
220	220D0308	SCREW-PAN-CROS	2	

220A	220D0510	SCREW-PAN-CROS	2	
702	702A07860	TUBE-RUBBER,7X10X860	1	
52005	52005-1129	GAUGE,FUEL	1	
92001	92001-1524	BOLT,6X25	2	
92001A	92001-1705	BOLT,FUEL GAUGE	4	
92022	92022-183	WASHER,6.2X11X1.5	2	
92022A	92022-1977	WASHER,5.1X10X1.0	2	
92027	92027-1780	COLLAR,L=19.3	1	
92037	92037-147	CLAMP,TUBE	1	[CA]
92037	92037-147	CLAMP,TUBE	2	[CN,US]
92055	92055-1112	RING-O,FUEL TAP PACKING	1	
92055A	92055-1419	RING-O,TAP LEVER	1	
92055B	92055-1552	RING-O,ID=9	2	
92071	92071-1187	GROMMET	1	
92075	92075-125	DAMPER,FUEL TANK	2	
92075A	92075-1736	DAMPER	2	
92075B	92075-261	DAMPER,RUBBER	1	
92093	92093-1030	SEAL,FUEL TANK CAP	1	[CA]
92143	92143-1835	COLLAR	1	
92160	92160-1751	DAMPER,FUEL TANK	2	
92160A	92160-1799	DAMPER,FUEL TANK	1	
92191	92191-1272	TUBE,DRAIN	1	[CN,US]

GEAR CHANGE DRUM/SHIFT FORK(S)

Ref #	Part #	Description	Qty	Spec Code
550	550D3020	PIN-COTTER,3.0X20	1	
551	551A0408	PIN-DOWEL,4X8	1	
551A	551A0412	PIN-DOWEL	1	
601	601A6005	BEARING-BALL	1	
13091	13091-1104	HOLDER,CHANGE DRUM PIN	1	
13140	13140-1270	FORK-SHIFT,OUTPUT TOP	1	
13140A	13140-1292	FORK-SHIFT,INPUT 3RD	1	
13140B	13140-1293	FORK-SHIFT,OUTPUT 4TH	1	
13145	13145-1089	CAM-CHANGE DRUM	1	
13239A	13239-1210	DRUM-ASSY-CHANGE	1	
49047	49047-1095	ROD-SHIFT	1	
92009	92009-1599	SCREW,6X45	1	
92042	92042-021	PIN,DOWEL,8X18	1	

GEAR CHANGE MECHANISM

Ref #	Part #	Description	Qty	Spec Code
480	480J1300	CIRCLIP-TYPE-C,13MM	1	
482	482L0100	CIRCLIP-TYPE-E,10MM	1	
13063	13063-002	DAMPER,PEDAL	1	
13156	13156-1419	LEVER-CHANGE,PEDAL,FR	1	
13156A	13156-1420	LEVER-CHANGE,PEDAL,RR	1	
13161	13161-1250	LEVER-COMP-CHANGE SHAFT,FR	1	
13161A	13161-1253	LEVER-COMP-CHANGE SHAFT	1	
13161B	13161-1254	LEVER-COMP-CHANGE SHAFT	1	

GEAR CHANGE MECHANISM

13165	13165-1120	PAWL	1	
13236	13236-1126	LEVER-COMP,POSITION	1	
39110	39110-1119	ROD-ASSY-TIE	1	
39156	39156-1071	PAD,BRAKE PEDAL	1	
92001	92001-1715	BOLT,GEAR CHANGE LEVER	1	
92015	92015-1443	NUT,6MM	1	
92015A	92015-1444	NUT,LEFT HANDED,6MM	1	
92022	92022-1224	WASHER,13.2X20X0.5	1	
92081	92081-1869	SPRING,CHANGE PEDAL RETURN	1	
92144	92144-1029	SPRING	1	
92144A	92144-1140	SPRING,RETURN	1	
92151	92151-1226	BOLT,6X20	1	
92151A	92151-1898	BOLT,6X25	2	
92153	92153-1076	BOLT	1	

GENERATOR

Ref #	Part #	Description	Qty	Spec Code
13078	13078-1066	RATCHET	1	
13270	13270-1925	PLATE	1	
13271	13271-1325	PLATE	1	
13280	13280-1069	HOLDER	1	
21003B	21003-1372	STATOR,INNER	1	
21003C	21003-1373	STATOR,OUTER	1	
21007	21007-1369	ROTOR	1	
21066	21066-1106	REGULATOR-VOLTAGE	2	
92002	92002-1086	BOLT,6X25	4	
92009	92009-1768	SCREW	1	
92022	92022-1904	WASHER,GENERATOR	1	
92072	92072-1195	BAND,L=202	2	
92150	92150-1484	BOLT,SOCKET,6X35	6	
92150A	92150-1654	BOLT,SOCKET,6X22	4	
92150B	92150-1955	BOLT,5X8	2	
92151	92151-1386	BOLT,12X120	1	

HANDLEBAR

Ref #	Part #	Description	Qty	Spec Code
112	112H1065	BOLT-UPSET,10X65	2	
220	220E0525	SCREW-PAN-CROSS	4	
11012	11012-1975	CAP,GRIP END	2	
46003	46003-1479	HANDLE	1	
46012	46012-1272	HOLDER-HANDLE,LWR	2	
46012A	46012-1273	HOLDER-HANDLE,UPP	2	
46019	46019-1109	GRIP-ASSY,THROTTLE	1	
46075	46075-1074	GRIP,LH	1	
46091	46091-1717	HOUSING-ASSY-CONTROL,RH	1	
46091B	46091-1788	HOUSING-ASSY-CONTROL,LH	1	
56001	56001-1451	MIRROR-ASSY,LH	1	
56001A	56001-1452	MIRROR-ASSY,RH	1	

92015	92015-1717	NUT,LOCK,FLANGED,10MM	2	
92037	92037-1903	CLAMP,SPEED,L=80.5	2	
92066	92066-1285	PLUG	4	
92150	92150-1942	BOLT,SOCKET,10X23	4	

HEADLIGHT(S)

Ref #	Part #	Description	Qty	Spec Code
461	461F0500	WASHER-SPRING,5MM	4	
13091	13091-1948	HOLDER,HEAD LAMP	1	
23005	23005-1152	BODY-COMP-HEAD LAMP	1	
23006	23006-1071	RIM-LAMP	1	
23007	23007-1338	LENS-COMP,HEAD LAMP	1	
23019	23019-024	SCREW,SPECIAL,5X14	2	
23020	23020-018	NUT,4MM,FOCUS ADJUST	2	
49016	49016-1046	COVER-SEAL,HEAD LAMP	1	
92009	92009-1296	SCREW,5X12	4	
92009A	92009-1816	SCREW,FOCUS ADJUST,4X60	2	
92069	92069-1002	BULB,12V 60/55W,H4	1	
92081	92081-1103	SPRING,HEAD LAMP LENS	2	
92191	92191-1217	TUBE,3.5X5.5X19	2	
92210	92210-1060	NUT,SPECIAL,5MM	4	

IGNITION SWITCH/LOCKS/REFLECTORS

Ref #	Part #	Description	Qty	Spec Code
120	120P0512	BOLT-SOCKET	1	
11012	11012-1586	CAP,STEERING LOCK	1	
21007	21007-5041	ROTOR,LOCK,TANK CAP	1	
27005	27005-1215	SWITCH-ASSY-IGNITION	1	
27008	27008-1179	KEY-LOCK,BLANK,#A	1	(OPTION)
27008A	27008-1180	KEY-LOCK,BLANK,#B	1	(OPTION)
27010B	27010-1464	SWITCH,SIDE STAND	1	
27010C	27010-1487	SWITCH,REAR BRAKE	1	
27016	27016-5243	LOCK-ASSY,HELMET	2	
27016A	27016-5244	LOCK-ASSY,LID	1	
27016B	27016-5246	LOCK-ASSY,STEERING	1	
27045	27045-5087	SWITCH-ASSY	1	
28012	28012-1009	REFLECTOR-REFLEX,FR	2	
92008	92008-007	SCREW,3.51MM	1	
92009	92009-1296	SCREW,5X12	2	
92015	92015-1656	NUT,FLANGED,5MM	2	
92097	92097-003	WASHER,WAVE	1	
92144	92144-1141	SPRING,REAR BRAKE SWITCH	1	
92144A	92144-1222	SPRING,STEERING LOCK	1	
92151	92151-1390	BOLT,SOCKET,6X35	1	

IGNITION SYSTEM

Ref #	Part #	Description	Qty	Spec Code
130	130H0620	BOLT-FLANGED	2	
223	223B0516	SCREW-PAN-WS-CROS	4	
13270	13270-1979	PLATE	1	
21119	21119-1515	IGNITER	1	
21121	21121-1288	COIL-IGNITION,RR	1	
21121A	21121-1289	COIL-IGNITION,FR	1	
21131	21131-005	GROMMET,HIGH TENSION	2	
21132	21132-005	GROMMET,HIGH TENSION	2	
21160	21160-1085	CAP-ASSY-PLUG	2	
21160A	21160-1091	CAP-ASSY-PLUG	2	
59026A	59026-1157	COIL-PULSING	1	
92070	92070-1138	PLUG-SPARK,DPR6EA9(NGK)	AR	(OPTION)
92070A		PLUG-SPARK,X20EPR-U9(ND)	AR	(LOCAL PROCUREMENT ITEM) (OPTION)
92070B	92070-1250	PLUG-SPARK,DPR5EA9(NGK)	4	
92070C		PLUG-SPARK,X16EPR-U9(ND)	4	(LOCAL PROCUREMENT ITEM)
92071	92071-1184	GROMMET,PLUG CAP	4	
92151	92151-3704	BOLT,6X10	1	
92170	92170-1930	CLAMP,HOSE	4	
92210	92210-0003	NUT,CAP,6MM	4	

LEFT ENGINE COVER(S)

Ref #	Part #	Description	Qty	Spec Code
132	132J0620	BOLT-FLANGED-SMALL	1	
132A	132J0630	BOLT-FLANGED-SMALL	5	
132B	132J0660	BOLT-FLANGED-SMALL	2	
132C	132V0620	BOLT-FLANGED-SMALL	4	
132D	132V0630	BOLT-FLANGED-SMALL	2	
670	670B2018	O RING,18MM	1	
671	671B2540	O RING,40MM	1	
11012	11012-1362	CAP	1	
11012A	11012-1363	CAP, TOP MARK	1	
11061	11061-1079	GASKET,GENERATOR COVER,IN	1	
11061A	11061-1080	GASKET,GENERATOR COVER,OUT	1	
13271	13271-1496	PLATE	1	
14031	14031-1348	COVER-GENERATOR,IN	1	
14031A	14031-1349	COVER-GENERATOR,OUT	1	
14091	14091-1206	COVER,LH,INNER	1	
14091A	14091-1297	COVER,LH,OUTER	1	
53044	53044-1312	TRIM	1	
92002	92002-1566	BOLT,6X40	1	
92043	92043-1262	PIN,4.2X6X12	2	
92043A	92043-1263	PIN,6.2X8X14	2	
92043B	92043-1690	PIN,6X16	2	
92049	92049-1398	SEAL-OIL,VB13193	2	
92150	92150-1021	BOLT,6X30	2	
92150A	92150-1779	BOLT,6X25	4	
92150B	92150-1864	BOLT,6X10	1	
92150C	92150-1967	BOLT,6X35	1	
92151	92151-1062	BOLT	2	

LEFT ENGINE COVER(S)

92151A	92151-1796	BOLT,L=32	4	
92151B	92151-1884	BOLT,6X10	3	
92160	92160-1718	DAMPER	1	
92160A	92160-1719	DAMPER	1	
92160B	92160-1730	DAMPER	3	
92161	92161-1179	DAMPER	1	
92170	92170-1514	CLAMP	1	
92200	92200-1296	WASHER	4	

METER(S)

Ref #	Part #	Description	Qty	Spec Code
132	132E0612	BOLT-FLANGED-SMALL	3	
13270	13270-1590	PLATE,PILOT LAMP	1	
23008	23008-1546	SOCKET-ASSY,PILOT LAMP	1	
23008A	23008-1601	SOCKET-ASSY,SPEEDOMETER	1	
23026	23026-1171	LENS,GREEN	1	
23026A	23026-1173	LENS,RED	2	
25005	25005-1650	SPEEDOMETER,MPH	1	[CA,US]
25005A	25005-1651	SPEEDOMETER,KPH	1	[CN]
92009	92009-1799	SCREW,3X8	1	
92015	92015-1259	NUT,FLANGED,5MM	2	
92022	92022-263	WASHER,5.2X16X1.2	2	
92069	92069-1007	BULB,12V 3.4W,T10	1	
92069A	92069-1059	BULB,12V 1.7W,T10	4	
92069B	92069-1068	BULB,12V 3W,T6.5	2	
92075	92075-1209	DAMPER,METER	2	
92077	92077-1117	KNOB,TRIP	1	
92160	92160-1713	DAMPER,METER	1	

MUFFLER(S)

Ref #	Part #	Description	Qty	Spec Code
120	120Z0620	BOLT-SOCKET	3	
11009	11009-1865	GASKET,MUFFLER CONNECTING	3	
11009A	11009-1894	GASKET,EXHAUST HOLDER	1	
11049	11049-1540	BRACKET,MUFFLER	1	
11060	11060-1119	GASKET,EXHAUST PIPE	2	
18004	18004-1091	CHAMBER-PREMUFFLER	1	[CA]
18004A	18004-1094	CHAMBER-PREMUFFLER	1	[CN,US]
18049	18049-1887	PIPE-EXHAUST,FR	1	
18049A	18049-1888	PIPE-EXHAUST,RR	1	
18069	18069-1161	HOLDER-EXHAUST PIPE	4	
18090	18090-1652	BODY-COMP-MUFFLER,FR,LWR	1	
18090A	18090-1653	BODY-COMP-MUFFLER,RR,UPP	1	
49107	49107-1103	COVER-EXHAUST PIPE,MUFFLER,RH	1	
49107A	49107-1115	COVER-EXHAUST PIPE	1	
49107B	49107-1156	COVER-EXHAUST PIPE,RR	1	
92015	92015-1936	NUT,8MM	2	
92022	92022-044	WASHER,10.5X26X2.3	1	
92022A	92022-1302	WASHER,10.5X30X2.3,BLACK	2	

MUFFLER(S)

92037	92037-1613	CLAMP,EXHAUST PIPE COVER	1	
92071	92071-1226	GROMMET	2	
92092	92092-1013	BUSHING-RUBBER,MUFFLER	4	
92092A	92092-1081	BUSHING-RUBBER	2	
92150	92150-1749	BOLT,10X55	2	
92151	92151-1332	BOLT,FLANGED,10X57	1	
92153	92153-0387	BOLT,FLANGED,8X14	2	
92170	92170-1645	CLAMP	2	
92171	92171-0062	CLAMP,CHAMBER-MUFFLER	3	
92171A	92171-0137	CLAMP	2	
92200	92200-1664	WASHER,10.5X36X2	1	
92210	92210-0076	NUT,8MM	2	
92210A	92210-1121	NUT,CAP,10MM	1	
92210B	92210-1132	NUT,CAP,8MM	4	

OIL PUMP/OIL FILTER

Ref #	Part #	Description	Qty	Spec Code
132	132G0645	BOLT-FLANGED-SMALL	2	
132A	132G0655	BOLT-FLANGED-SMALL	2	
132B	132G0660	BOLT-FLANGED-SMALL	1	
132C	132G0670	BOLT-FLANGED-SMALL	1	
11009	11009-1344	GASKET,8.2X14X1.0	2	
11012	11012-1461	CAP,OIL FILTER	1	
11060	11060-1739	GASKET,PIPE JOINT	1	
13183	13183-1071	PLATE	2	
16082	16082-1155	PUMP-ASSY-OIL	1	
16085	16085-1345	GEAR,OIL PUMP,39T	1	
16097	16097-1058	FILTER-ASSY-OIL	1	
16097A	16097-1072	FILTER-ASSY-OIL	1	
16126	16126-0012	VALVE	1	
16130	16130-1059	VALVE-ASSY-RELIEF	1	
21177	21177-1058	CONTROLLER,OIL LAMP	1	
27010	27010-1360	SWITCH,OIL PRESSURE	1	
32099	32099-5003	CASE	1	
32102	32102-1409	PIPE	1	
39193	39193-1036	PIPE-OIL	1	
41077	41077-0011	ADAPTER	1	
51044	51044-1182	TUBE-ASSY,FR	1	
51044A	51044-1183	TUBE-ASSY,RR	1	
56033	56033-0070	LABEL-MANUAL	1	
92022	92022-1547	WASHER,20.1X28X1	1	
92022A	92022-1852	WASHER,12X27.5X1.0	2	
92043	92043-1263	PIN,6.2X8X14	1	
92055	92055-0068	RING-O,59.6X2.4	1	
92055A	92055-1209	RING-O	1	
92055B	92055-1358	RING-O,35.2X2.4	1	
92055C	92055-1373	RING-O,13.2X2.4	2	
92062	92062-1078	NOZZLE,6X8,GREEN	1	
92071	92071-100	GROMMET,OIL STRAINER	1	
92144	92144-1106	SPRING	1	
92150	92150-1868	BOLT,6X12	4	

92151	92151-1355	BOLT,8X35	1	
99999	99999-0032	KIT.,OIL FILTER	1	
132D	132J0625	BOLT-FLANGED-SMALL	2	
480	480J1200	CIRCLIP-TYPE-C,12MM	1	
670	670D1508	O RING,8MM	7	
670A	670D2010	O RING	2	

OWNER'S TOOLS

Ref #	Part #	Description	Qty	Spec Code
52005A	52005-1142	GAUGE,AIR,350KPA/50PSI	1	
56007A	56007-1450	TOOL-KIT	1	
56008	56008-006	BAG,TOOL	1	
56019A	56019-120	THREE BOND TB1211,HT/RS,WHITE	1	
92104	92104-1003	GASKET-LIQUID,TUBE,100G,BLACK	1	
92107	92107-1002	TOOL-DRIVER,#3PHILLIPS	1	
92107A	92107-1052	TOOL-DRIVER,#2PHILLIPS&SLOT	1	
92110	92110-1015	TOOL-WRENCH,ALLEN,5MM	1	
92110A	92110-1038	TOOL-WRENCH,OPEN END,10X12	1	
92110B	92110-1045	TOOL-WRENCH,OPEN END,14X17	1	
92110C	92110-1135	TOOL-WRENCH,BOX,18MM	1	
92110D	92110-1136	TOOL-WRENCH,SPOKE	1	
92112	92112-003	TOOL-PLIERS	1	
92126	92126-001	TOOL-WRENCH,OPEN END,8X10	1	
92127	92127-002	TOOL-WRENCH,ALLEN,8MM	1	
92127A	92127-003	TOOL-WRENCH,ALLEN,6MM	1	

RADIATOR

Ref #	Part #	Description	Qty	Spec Code
11012	11012-1585	CAP	1	
11051	11051-1535	BRACKET,THERMOSTAT CASE	1	
11060	11060-1767	GASKET,DRAIN PLUG	1	
14037	14037-1251	SCREEN	1	
14075	14075-1068	CAP-ASSY	1	
16160	16160-1359	BODY	1	
27010	27010-1305	SWITCH,WARNING	1	
27010A	27010-1364	SWITCH,FAN	1	
32099	32099-1093	CASE,THERMOSTAT	1	
39060	39060-1165	RADIATOR	1	
39062	39062-1696	HOSE-COOLING,THERMO-RADIATOR	1	
39062A	39062-1700	HOSE-COOLING,OVERFLOW	1	
39062B	39062-1753	HOSE-COOLING	1	
39062C	39062-1756	HOSE-COOLING,CAB-CHACK VALVE	1	
39062D	39062-1760	HOSE-COOLING	1	
39062E	39062-1764	HOSE-COOLING	1	
39062F	39062-1777	HOSE-COOLING,HEAD RR-THERMO	1	

RADIATOR

39062G	39062-1778	HOSE-COOLING,HEAD FR-THERMO	1	
39062H	39062-1783	HOSE-COOLING,RESERVOIR	1	
39062I	39062-1850	HOSE-COOLING,RADIATOR-PUMP	1	
39192	39192-1094	PIPE-WATER	1	
39192A	39192-1114	PIPE-WATER	1	
39192B	39192-1136	PIPE-WATER	1	
43056	43056-003	BREATHER	1	
43078	43078-1153	RESERVOIR	1	
49019	49019-1068	FILTER-WATER	1	
49054	49054-1067	THERMOSTAT	1	
49085	49085-1067	CAP-ASSY-PRESSURE	1	
49116	49116-1167	VALVE-ASSY	1	
59502	59502-1127	FAN-ASSY	1	
92002	92002-1311	BOLT,FLANGED,10X10	1	
92002A	92002-1569	BOLT,6X12	1	
92009	92009-1402	SCREW,6X10	4	
92027	92027-1450	COLLAR,L=13.1,BLACK	1	
92037	92037-147	CLAMP,TUBE	3	
92037A	92037-1505	CLAMP,TUBE	1	
92055	92055-112	RING-O,53.5X2.6	1	
92075	92075-1690	DAMPER	3	
92150	92150-1392	BOLT,6X14	2	
92170	92170-1032	CLAMP,COOLING HOSE	4	
92170A	92170-1034	CLAMP,COOLING HOSE	2	
130	130J0618	BOLT-FLANGED,6X18	2	
132	132J0610	BOLT-FLANGED-SMALL,6X10	4	
132A	132J0612	BOLT-FLANGED-SMALL	2	
132B	132J0625	BOLT-FLANGED-SMALL	1	
220	220D0514	SCREW-PAN-CROS,5X14	4	
670	670B2014	O RING,14MM	2	
670A	670B2018	O RING,18MM	1	
92170B	92170-1118	CLAMP	1	
92170C	92170-1284	CLAMP,COOLING HOSE	2	
92170D	92170-1492	CLAMP	1	
92170E	92170-1493	CLAMP	3	
92170F	92170-1884	CLAMP	1	
92170G	92170-2043	CLAMP	2	
92210	92210-1125	NUT	4	

REAR BRAKE (VN1500-E4~E6)

Ref #	Part #	Description	Qty	Spec Code
41080	41080-1459-CM	DISC,RR,SILVER	1	
43034	43034-1162	HOLDER-BRAKE,REAR CALIPER	1	
43041A	43041-1895-GN	CALIPER-ASSY,RR,SILVER	1	
43044	43044-1129	HOLDER-COMP-CALIPER	1	
43048	43048-1073	PISTON-CALIPER	2	
43049	43049-1068	PACKING	2	
43049A	43049-1092	PACKING,PISTON SEAL	2	
43056	43056-1054	BREATHER-BRAKE	2	
43057	43057-003	CAP-BREATHER	2	
43082	43082-1260	PAD-ASSY-BRAKE	1	

REAR BRAKE (VN1500-E4-E6)

43084	43084-003	CLAMP,PAD	1	
49006	49006-1054	BOOT,CALIPER	1	
49006A	49006-1095	BOOT,CALIPER	1	
92002	92002-1713	BOLT,SOCKET,10X17	2	
92002A	92002-1969	BOLT,FLANGED,12X40	1	
92043	92043-1489	PIN,PAD	1	
92144	92144-1831	SPRING,STOPPER	1	
92145	92145-1322	SPRING,PAD	1	
92150	92150-1771	BOLT,SOCKET,8X30	7	

REAR MASTER CYLINDER

Ref #	Part #	Description	Qty	Spec Code
130	130J0830	BOLT-FLANGED,8X30	2	
13159	13159-1052	CONNECTOR,RR MASTER CYLINDER	1	
14090	14090-1939	COVER,RESERVOIR	1	
43010	43010-1055	ROD-ASSY-BRAKE	1	
43016	43016-1122	CYLINDER-MASTER,RR	1	
43020	43020-1057	PISTON-COMP-BRAKE	1	
43026	43026-1051	CAP-BRAKE	1	
43027	43027-1051	PLATE-DIAPHRAGM	1	
43028	43028-1057	DIAPHRAGM,MASTER CYLINDER	1	
43059	43059-1939	HOSE-BRAKE,RR MASTER CYLINDER	1	
43067	43067-001	WASHER,10.5X15X1.5	4	
43078	43078-1082	RESERVOIR,RR MASTER CYLINDER	1	
43095	43095-1195	HOSE-BRAKE,RR	1	
92002	92002-1888	BOLT,OIL,L=23	2	
92015	92015-1700	NUT	1	
92022	92022-1601	WASHER,CIRCRIP	1	
92022A	92022-183	WASHER,6.2X11X1.5	1	
92033	92033-1186	RING-SNAP,20.5MM	1	
92037	92037-1547	CLAMP,BRAKE HOSE	2	
92055	92055-1251	RING-O,MASTER CYLINDER	1	
92072	92072-1197	BAND,L=365	1	
92081	92081-1737	SPRING,MASTER CYLINDER	1	
92144	92144-1513	SPRING,PROTECTOR	1	
92150	92150-1829	BOLT,6X25	1	
92151	92151-1401	BOLT,FLANGED,6X12	1	

REAR WHEEL/CHAIN

Ref #	Part #	Description	Qty	Spec Code
550	550D4035	PIN-COTTER,4.0X35	1	
601	601B6304UU	BEARING-BALL,#6304UUC3	2	
671	671B2580	O RING,80MM	1	
41034	41034-1260	DRUM-ASSY,REAR BRAKE	1	
41068	41068-1410	AXLE,RR	1	
42034	42034-1011	COUPLING,RR HUB	1	
42046	42046-003	WASHER,21X33X2.6	1	
49016	49016-1019	COVER-SEAL	1	
92027	92027-1901	COLLAR,20.2X28X105.5	1	
92027A	92027-1902	COLLAR,RR AXLE,L=21.5	1	

92027B	92027-1969	COLLAR,20.2X28X86	1	
92033	92033-1043	RING-SNAP,52MM	1	
92033A	92033-1230	RING-SNAP,220MM	1	
92049	92049-1061	SEAL-OIL,28X52X5	1	
92075	92075-1121	DAMPER,SHOCK,RR HUB	1	
92210	92210-1134	NUT,CASTLE,18MM	1	

RIGHT ENGINE COVER(S)

Ref #	Part #	Description	Qty	Spec Code
221	221B0612	SCREW-CSK-CROS,6X12	2	
11049	11049-1789	BRACKET	1	
11060	11060-1124	GASKET,WATER PUMP COVER	1	
11061	11061-1081	GASKET,CLUTCH COVER	1	
13270	13270-1592	PLATE	1	
14032	14032-1493	COVER-CLUTCH	1	
14090	14090-1678	COVER,CLUTCH OUTER	1	
14090A	14090-1932	COVER,WATER PUMP	1	
16115	16115-1063	CAP-OIL FILLER	1	
52005	52005-1009	GAUGE,OIL LEVEL	1	
56033	56033-1156	LABEL-MANUAL,OIL CAPACITY	1	
92022	92022-077	WASHER,6.1X12X1	4	
92043	92043-1263	PIN,6.2X8X14	4	
92046	92046-1163	BEARING-NEEDLE,HK1212	1	
92055	92055-049	RING-O,31.7X2.4	1	
92075	92075-1855	DAMPER	3	
92075A	92075-1856	DAMPER	3	
92075B	92075-1905	DAMPER	1	
92150	92150-1021	BOLT,6X30	4	
92151	92151-1064	BOLT,6X10	5	
92151A	92151-1130	BOLT,6X25	10	
92151B	92151-1134	BOLT,6X30	2	
92151C	92151-1135	BOLT,6X35	6	
92151D	92151-1273	BOLT,L=22.5	3	
92160	92160-1716	DAMPER	1	
92161	92161-1139	DAMPER	1	
92170	92170-1804	CLAMP,METER HARNESS	1	

SEAT

Ref #	Part #	Description	Qty	Spec Code
130	130J0614	BOLT-FLANGED,6X14,BLACK	7	
32046	32046-1412	BRACKET-SEAT,RR	2	
53001	53001-1841-MA	SEAT-ASSY,RR,W/BAND,BLACK	1	
53001A	53001-1881-MA	SEAT-ASSY,FR,BLACK	1	
53003	53003-1388-MA	LEATHER,FRONT SAET,BLACK	1	
53003A	53003-1389-MA	LEATHER,REAR SEAT,BLACK	1	
92075	92075-1927	DAMPER	2	

SIDE COVERS

90

Ref #	Part #	Description	Qty	Spec Code
36001B	36001-1645-H8	COVER-SIDE,LH,EBONY	1	
36001C	36001-1646-H8	COVER-SIDE,RH,EBONY	1	
92009	92009-1874	SCREW,6X35	1	
92071	92071-1131	GROMMET	2	
92075	92075-1629	DAMPER	2	
92160	92160-1944	DAMPER	1	

STAND(S)

Ref #	Part #	Description	Qty	Spec Code
34024	34024-1330	STAND-SIDE	1	
92015	92015-1188	NUT,LOCK,10MM,BLACK	1	
92144	92144-1927	SPRING,SIDE STAND	1	
92150	92150-1941	BOLT,SIDE STAND	1	

STARTER MOTOR

Ref #	Part #	Description	Qty	Spec Code
120	120S0620	BOLT-SOCKET	3	
120A	120S0630	BOLT-SOCKET	3	
223	223D0510	SCREW-PAN-WS-CROS	2	
13091	13091-1883	HOLDER,SWITCH	1	
13194	13194-1088	CLUTCH-ONEWAY	1	
13216	13216-1115	GEAR-COMP,FREE WHEEL	1	
21017	21017-017	GROMMET,STARTER TERMINAL	1	
21039	21039-1060	BRUSH,CARBON	1	
21040	21040-1055	SPRING-BRUSH	4	
21163	21163-1271	STARTER-ELECTRIC	1	
26011	26011-1639	WIRE-LEAD,STARTER	1	
27010	27010-1347	SWITCH,MAGNETIC	1	
39076	39076-1057	LIMITER,STARTER IDLE GEAR	1	
42034	42034-1093	COUPLING	1	
92015	92015-1476	NUT,STARTER MOTOR	2	
92022	92022-1852	WASHER,12X27.5X1.0	1	
92026	92026-1490	SPACER,31X49.5X1.2	1	
92046	92046-1171	BEARING-NEEDLE,K30X35X20	1	
92055	92055-1370	RING-O,4.5X2.0	1	
92055A	92055-1381	RING-O,STARTER MOTOR	2	
92055B	92055-1393	RING-O,37MM	1	
92150	92150-1779	BOLT,6X25	2	
92150A	92150-1913	BOLT,STARTER MOTOR	2	

SUSPENSION/SHOCK ABSORBER

Ref #	Part #	Description	Qty	Spec Code
45014	45014-1719	SHOCKABSORBER	2	
92022	92022-1540	WASHER,SPRING,10MM	4	
92022A	92022-246	WASHER,10.5X26X2.3	4	
92075	92075-1387	DAMPER,SHOCKABSORBER	4	
92210	92210-1128	NUT,CAP,10MM	4	

SWINGARM

Ref #	Part #	Description	Qty	Spec Code
11065	11065-1099	CAP,SWING ARM	1	
33001B	33001-1617	ARM-COMP-SWING	1	
33032	33032-1181	SHAFT-SWING ARM	1	

TAILLIGHT(S)

Ref #	Part #	Description	Qty	Spec Code
130	130V0610	BOLT-FLANGED,6X10	2	
11009	11009-1660	GASKET,TAIL LAMP LENS	1	
11049	11049-1604	BRACKET,LICENSE PLATE	1	
13091	13091-1500	HOLDER,LICENSE PLATE	1	[CA,US]
13091A	13091-1952	HOLDER,LICENSE PLATE	1	[CN]
23025A	23025-1295	LAMP-TAIL	1	
23026	23026-1087	LENS,TAIL LAMP	1	
92002	92002-1262	BOLT,6X22	3	
92009	92009-1378	SCREW,TAPPING,4X20	2	
92015	92015-1170	NUT,CAP,6MM	2	[CN]
92015	92015-1170	NUT,CAP,6MM	4	[CA,US]
92015A	92015-1385	NUT,CAP,6MM	2	
92022	92022-1346	WASHER,6.5X20X1.6,BLACK	2	[CN]
92022	92022-1346	WASHER,6.5X20X1.6,BLACK	4	[CA,US]
92027	92027-162	COLLAR,6.8X10X12	3	
92069A	92069-063	BULB,12V 21/5W	2	
92075	92075-209	DAMPER	3	
92150	92150-1133	BOLT,6X14	4	[CN]
92150	92150-1133	BOLT,6X14	6	[CA,US]

TIRES

Ref #	Part #	Description	Qty	Spec Code
41009D	41009-1235	TIRE,FR,130/90-16 67H,G703G(BS	1	
41009F	41009-1260	TIRE,FR,130/90-16 67H,D404FN(D	1	
41009G	41009-1261	TIRE,RR,150/80B16 71H,D404G(D)	1	
41009H	41009-1408	TIRE,RR,150/80B16 71H,G702M(BS	1	
41022	41022-1171	TUBE-TIRE,140/90-16(BS)	1	
41022A	41022-1172	TUBE-TIRE,130-140/90-16(D)	1	
41022B	41022-1191	TUBE-TIRE,130/90-16(BS)	1	
41022C	41022-1192	TUBE-TIRE,130/90-16(D)	1	
41023	41023-1101	BAND-RIM,3.00X16(BS)	1	
41023A	41023-1102	BAND-RIM,140/90-16(D)	1	
41023B	41023-1115	BAND-RIM,150/80-16(D)	1	

TIRES

41023C	41023-1118	BAND-RIM,X-16C(BS)	1	
41025A	41025-1315	RIM,RR,3.50X16	1	
41025B	41025-1412	RIM,FR,3.00X16	1	
41029B	41029-1310	SPOKE-INNER,FR,154.5MMX117D	24	
41029C	41029-1314	SPOKE,RR,81MMX155D	48	
41030A	41030-1168	SPOKE-OUTER,FR,151.5MMX116D	24	
41032	41032-1075	NIPPLE-SPOKE	96	
41075	41075-1007	BALANCER-WHEEL,10G	AR	
41075A	41075-1008	BALANCER-WHEEL,20G	AR	
41075B	41075-1009	BALANCER-WHEEL,30G	AR	

TRANSMISSION (VN1500-E5/E6)

Ref #	Part #	Description	Qty	Spec Code
480	480J2800	CIRCLIP-TYPE-C,28MM	3	
480A	480J2900	CIRCLIP	3	
600	600A0500	BALL-STEEL,5/32"	3	
13048	13048-1086	CAM-DAMPER	1	
13127	13127-1288	SHAFT-TRANSMISSION INPUT	1	
13128	13128-0002	SHAFT-TRANSMISSION OUTPUT	1	
13260	13260-1910	GEAR,OUTPUT LOW,40T	1	
13260A	13260-1914	GEAR,INPUT 2ND,22T	1	
13260B	13260-1915	GEAR,INPUT 3RD,26T	1	
13260C	13260-1916	GEAR,INPUT 4TH,29T	1	
13260D	13260-1917	GEAR,INPUT TOP,32T	1	
13260E	13260-1918	GEAR,OUTPUT 2ND,35T	1	
13260F	13260-1919	GEAR,OUTPUT 3RD,31T	1	
13260G	13260-1920	GEAR,OUTPUT 4TH,28T	1	
13260H	13260-1921	GEAR,OUTPUT TOP,25T	1	
92015	92015-1610	NUT,20MM	1	
92022	92022-1855	WASHER,25.5X36X1.0	1	
92022A	92022-212	WASHER,22.3X35X1.6	1	
92026	92026-1536	SPACER,25.5X38X1.0	1	
92028	92028-1990	BUSHING,INPUT TOP GEAR	1	
92028A	92028-1991	BUSHING,OUTPUT 3RD GEAR	1	
92033	92033-025	RING-SNAP,20X25.5X1.2	1	
92033A	92033-032	RING-SNAP	1	
92033B	92033-1172	RING-SNAP,25MM	1	
92046	92046-1259	BEARING-NEEDLE,TK253515	1	
92046A	92046-1260	BEARING-NEEDLE,FWF-162222	1	
92046B	92046-1293	BEARING-NEEDLE,BN502250	1	
92200	92200-1240	WASHER,T=1.5	2	
92200A	92200-1381	WASHER,30.3X40X1.5	3	

TURN SIGNALS

Ref #	Part #	Description	Qty	Spec Code
132	132E0620	BOLT-FLANGED-SMALL	2	
132A	132J0614	BOLT-FLANGED-SMALL	2	
11009	11009-1413	GASKET,SIGNAL LAMP	4	
14090	14090-1691	COVER	1	
23037	23037-1317	LAMP-ASSY-SIGNAL,FR,LH	1	
23037A	23037-1318	LAMP-ASSY-SIGNAL,FR,RH	1	
23037D	23037-1384	LAMP-ASSY-SIGNAL,RR,LH	1	
23037E	23037-1385	LAMP-ASSY-SIGNAL,RR,RH	1	
23048	23048-1066	LENS-SIGNAL LAMP	4	
23051	23051-1230	BRACKET-SIGNAL LAMP,RR	1	
23058	23058-002	WASHER,PLAIN,4MM	8	
92002	92002-1262	BOLT,6X22	2	
92009	92009-1637	SCREW,TAPPING,4X25	8	
92015	92015-1385	NUT,CAP,6MM	2	
92015A	92015-1428	NUT,FLANGED,10MM	2	
92027	92027-162	COLLAR,6.8X10X12	4	
92069	92069-055	BULB,12V 32CP(23W)	2	
92069A	92069-060	BULB,12V 32/3CP(23/8W)	2	
92160	92160-1162	DAMPER	2	

VALVE(S)

Ref #	Part #	Description	Qty	Spec Code
670	670B2020	O RING,20MM	4	
12004	12004-1072	VALVE-INTAKE	4	
12005	12005-1268	VALVE-EXHAUST	4	
12009	12009-005	RETAINER-VALVE SPRING	8	
12011	12011-004	COLLET,RETAINER	16	
12016	12016-1112	ARM-ROCKER	6	
12016A	12016-1113	ARM-ROCKER	2	
12020	12020-1061	SHAFT-ROCKER	4	
12025	12025-1054	ADJUSTER-LASH	8	
16007	16007-1031	SEAT-SPRING	8	
16007A	16007-1137	SEAT-SPRING,OUTER	8	
49078	49078-1157	SPRING-ENGINE VALVE,OUTER	8	
49078A	49078-1158	SPRING-ENGINE VALVE,INNER	8	
92049	92049-016	SEAL-OIL,RV37129.5	8	
92055	92055-025	RING-O	4	
92066	92066-1198	PLUG	4	
92144	92144-1221	SPRING,ROCKER ARM	8	

WATER PUMP

Ref #	Part #	Description	Qty	Spec Code
130	130D0514	BOLT-FLANGED	1	
132	132G0612	BOLT-FLANGED-SMALL	1	
132A	132G0635	BOLT-FLANGED-SMALL	3	
480	480J1100	CIRCLIP-TYPE-C,11MM	1	
480A	480J1200	CIRCLIP-TYPE-C,12MM	3	
670	670D1509	O RING,9MM	1	
12046	12046-1079	SPROCKET,OIL PUMP,19T	1	
12046A	12046-1096	SPROCKET,CRANK IDLER,25T	1	
12046B	12046-1097	SPROCKET,IDLER,17T	1	
12053	12053-1227	GUIDE-CHAIN	1	
13070	13070-1178	GUIDE	1	
13091	13091-1471	HOLDER	1	
13107	13107-1196	SHAFT,IMPELLER	1	
39115	39115-1058	SHAFT-IDLER	1	
59256	59256-1066	IMPELLER	1	
92002	92002-1902	BOLT,6X12	1	
92022	92022-1852	WASHER,12X27.5X1.0	2	
92043	92043-1263	PIN,6.2X8X14	2	
92046	92046-1163	BEARING-NEEDLE,HK1212	1	
92057	92057-1230	CHAIN,BS25HX46L	1	
92057A	92057-1231	CHAIN,BS25HX44L	1	
92081	92081-1791	SPRING,IDLER SHAFT	1	
92122	92122-1126	ROLLER,3X15.8	2	
92143	92143-1123	COLLAR	1	